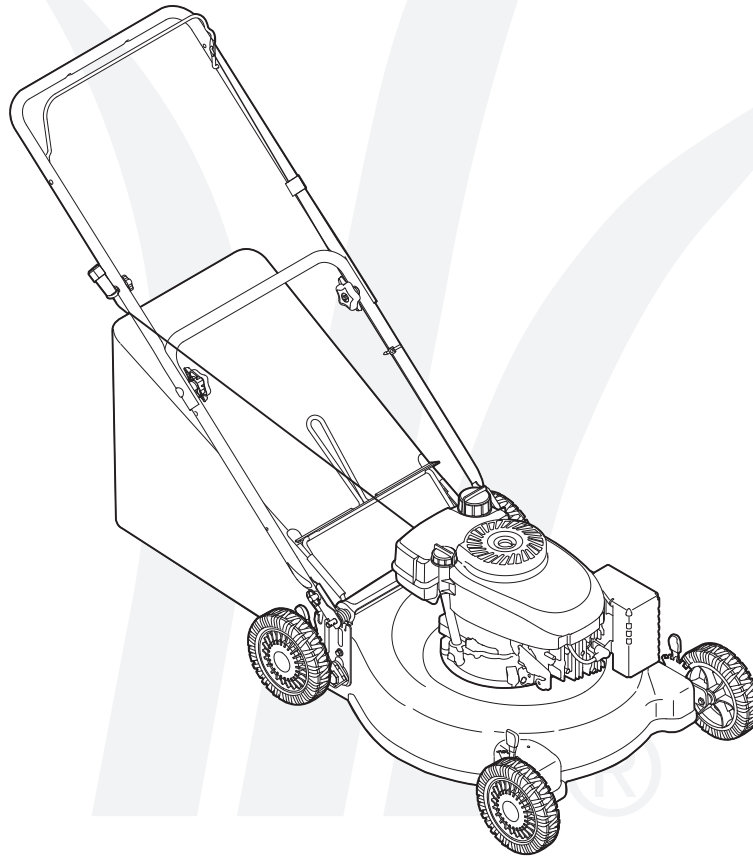


OPERATOR'S MANUAL



21" Rotary Mower — Model Series 410

IMPORTANT

READ SAFETY RULES AND INSTRUCTIONS CAREFULLY BEFORE OPERATION

Warning: This unit is equipped with an internal combustion engine and should not be used on or near any unimproved forest-covered, brush-covered or grass-covered land unless the engine's exhaust system is equipped with a spark arrester meeting applicable local or state laws (if any). If a spark arrester is used, it should be maintained in effective working order by the operator. In the State of California the above is required by law (Section 4442 of the California Public Resources Code). Other states may have similar laws. Federal laws apply on federal lands. A spark arrester for the muffler is available through your nearest engine authorized service dealer or contact the service department, P.O. Box 361131 Cleveland, Ohio 44136-0019.

This Operator's Manual is an important part of your new equipment. It will help you assemble, prepare and maintain the unit for best performance. Please read and understand what it says.

Table of Contents

Slope Gauge	3	Maintenance & Off-Season Storage.....	10
Safe Operation Practices	4	Trouble Shooting	12
Set-Up & Adjustments.....	6	Warranty	13
Operation.....	8	Illustrated Parts Lists	14

Finding and Recording Model Number

BEFORE YOU START ASSEMBLING YOUR NEW EQUIPMENT,

please locate the model plate on the equipment and copy the the model number and the serial number to the sample model plate provided to the right. You can locate the model plate by standing at the operating position and looking down at the rear of the machine.

Model Number Numéro de modèle	Serial Number Numéro de série
XXXXXXXXXXXX	XXXXXXXXXXXX
	MTD LLC CLEVELAND, OH 44136 MTD PRODUCTS LIMITED KITCHENER, ON N2G 4J1
USA-www.mtdproducts.com	1-800-800-7310
CAN-www.mtdcanada.com	1-800-668-1238

Customer Support

**Please do *NOT* return the unit to the retailer from which it was purchased,
without first contacting Customer Support.**

If you have difficulty assembling this product or have any questions regarding the controls, operation or maintenance of this unit, please call a Customer Support Representative.

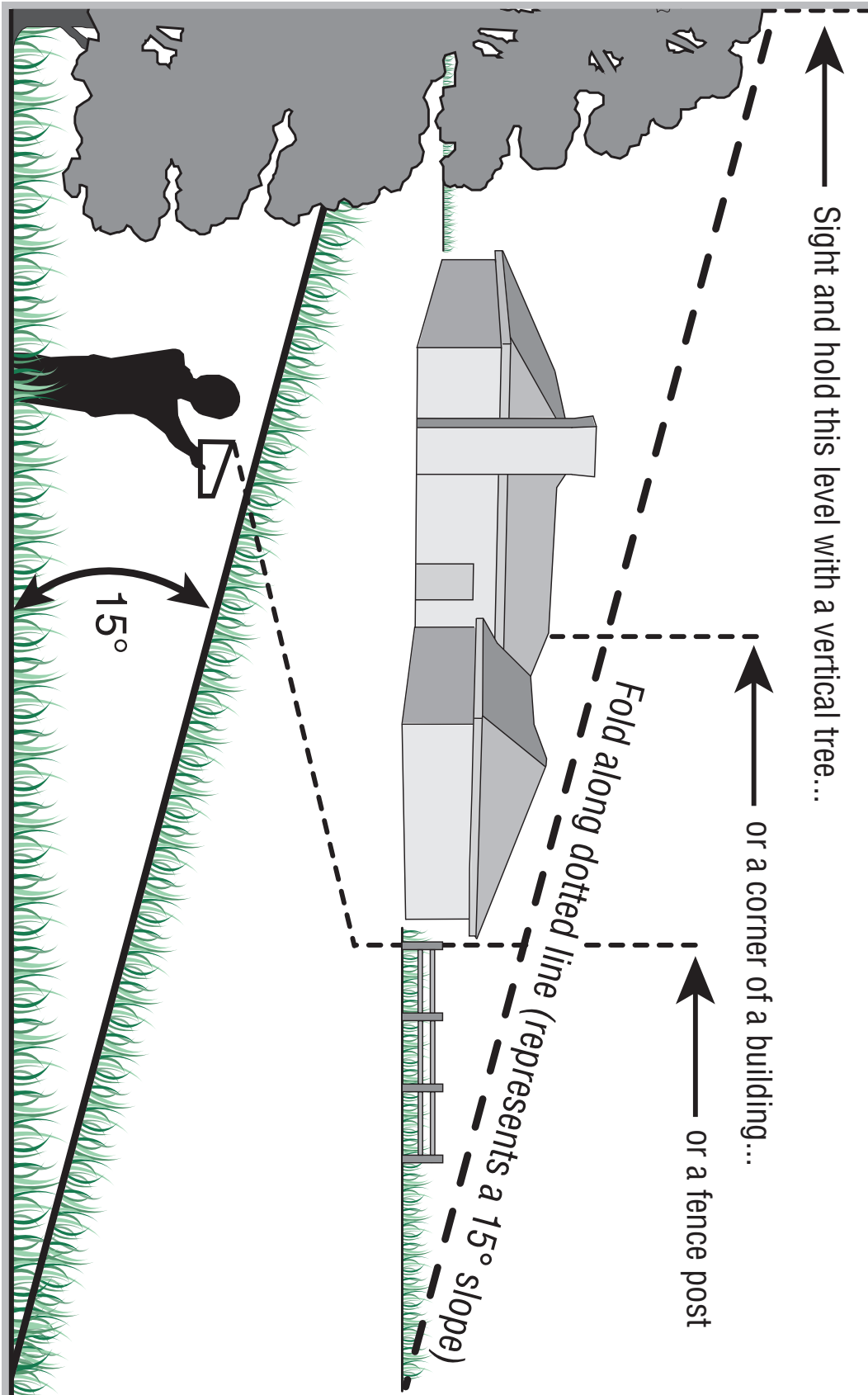
For US Customers: 1-330-220-4MTD (4683) or 1-800-800-7310

For Canadian Customers: 1-800-668-1238

Please have your unit's model number and serial number ready when you call. See previous section to locate this information. You will be asked to enter the serial number in order to process your call.

The engine manufacturer is responsible for all engine-related issues with regards to performance, power-rating, specifications, warranty and service. Please refer to the engine manufacturer's Owner's/Operator's Manual, packed separately with your unit, for more information.

Use this page as a guide to determine slopes where you may not operate safely. **Do not operate** your lawn mower on such slopes.



1

Slope Gauge



WARNING

Do not mow on inclines with a slope in excess of 15 degrees (a rise of approximately 2-1/2 feet every 10 feet). A riding mower could overturn and cause serious injury. If operating a walk-behind mower on such a slope, it is extremely difficult to maintain your footing and you could slip, resulting in serious injury.

Operate RIDING mowers up and down slopes, never across the face of slopes.

Operate WALK-BEHIND mowers across the face of slopes, never up and down slopes.

2

Safe Operation Practices



WARNING

This symbol points out important safety instructions which, if not followed, could endanger the personal safety and/or property of yourself and others. Read and follow all instructions in this manual before attempting to operate this machine. Failure to comply with these instructions may result in personal injury. When you see this symbol. **HEED ITS WARNING!**

Your Responsibility
Restrict the use of this power machine to persons who read, understand and follow the warnings and instructions in this manual and on the machine.



WARNING: Engine Exhaust, some of its constituents, and certain vehicle components contain or emit chemicals known to State of California to cause cancer and birth defects or other reproductive harm.

DANGER: This machine was built to be operated according to the rules for safe operation in this manual. As with any type of power equipment, carelessness or error on the part of the operator can result in serious injury. This machine is capable of amputating hands and feet and throwing objects. Failure to observe the following safety instructions could result in serious injury or death.

General Operation

1. Read this operator's manual carefully in its entirety before attempting to assemble this machine. Read, understand, and follow all instructions on the machine and in the manual(s) before operation. Be completely familiar with the controls and the proper use of this machine before operating it. Keep this manual in a safe place for future and regular reference and for ordering replacement parts.
2. This machine is a precision piece of power equipment, not a plaything. Therefore, exercise extreme caution at all times. Your unit has been designed to perform one job: to mow grass. Do not use it for any other purpose.
3. Never allow children under 14 years old to operate this machine. Children 14 years old and over should read and understand the instructions in this manual and should be trained and supervised by a parent. Only responsible individuals who are familiar with these rules of safe operation should be allowed to use this machine.
4. Thoroughly inspect the area where the equipment is to be used. Remove all stones, sticks, wire, bones, toys and other foreign objects which could be tripped over or picked up and thrown by the blade. Thrown objects can cause serious personal injury. Plan your mowing pattern to avoid discharge of material toward roads, sidewalks, bystanders and the like. Also, avoid discharging material against a wall or obstruction which may cause discharged material to ricochet back toward the operator.
5. To help avoid blade contact or a thrown object injury, stay in the operator zone behind the handles and keep children, bystanders, helpers and pets at least 75 feet from the mower while it is in operation. Stop machine if anyone enters the area.
6. Always wear safety glasses or safety goggles during operation and while performing an adjustment or repair to protect your eyes. Thrown objects which ricochet can cause serious injury to the eyes.
7. Wear sturdy, rough-soled work shoes and close-fitting slacks and shirts. Shirts and pants that cover the arms and legs and steel-toed shoes are recommended. Never operate this machine in bare feet, sandals, slippery or light weight (e.g. canvas) shoes.
8. Do not put hands or feet near rotating parts or under the cutting deck. Contact with the blade can amputate hands and feet.
9. A missing or damaged discharge cover can cause blade contact or thrown object injuries.
10. Many injuries occur as a result of the mower being pulled over the foot during a fall caused by slipping or tripping. Do not hold on to the mower if you are falling; release the handle immediately.
11. Never pull the mower back toward you while you are walking. If you must back the mower away from a wall or obstruction first look down and behind to avoid tripping and then follow these steps:
 - a. Step back from the mower to fully extend your arms.
 - b. Be sure you are well balanced with sure footing.
 - c. Pull the mower back slowly, no more than half way toward you.
 - d. Repeat these steps as needed.
12. Do not operate the mower while under the influence of alcohol or drugs.
13. Do not engage the self-propelled mechanism on units so equipped while starting engine.
14. The blade control handle is a safety device. Never attempt to bypass its operation. Doing so makes the safety device inoperative and may result in personal injury through contact with the rotating blade. The blade control handle must operate easily in both directions and automatically return to the disengaged position when released.
15. Never operate the mower in wet grass. Always be sure of your footing. A slip and fall can cause serious personal injury. If you feel you are losing your footing, release the blade control handle immediately and the blade will stop rotating within three seconds.
16. Mow only in daylight or in good artificial light. Walk, never run. Stop the blade when crossing gravel drives, walks or roads.
17. If the equipment should start to vibrate abnormally, stop the engine and check immediately for the cause. Vibration is generally a warning of trouble.
18. Shut the engine off and wait until the blade comes to a complete stop before removing the grass catcher or unclogging the chute. The cutting blade continues to rotate for a few seconds after the engine is shut off. Never place any part of the body in the blade area until you are sure the blade has stopped rotating.
19. Never operate mower without proper trail shield, discharge cover, grass catcher, blade control handle or other safety protective devices in place and working. Never operate mower with damaged safety devices. Failure to do so, can result in personal injury.
20. Muffler and engine become hot and can cause a burn. Do not touch.
21. Only use parts and accessories made for this machine by the manufacturer. Failure to do so can result in personal injury.
22. If situations occur which are not covered in this manual, use care and good judgment. Call customer assistance for the name of your nearest servicing dealer.

Slope Operation

Slopes are a major factor related to slip and fall accidents which can result in severe injury. Operation on slopes requires extra caution. If you feel uneasy on a slope, do not mow it. For your safety, use the slope gauge included as part of this manual to measure slopes before operating this unit on a sloped or hilly area. If the slope is greater than 15 degrees, do not mow it.

Do:

1. Mow across the face of slopes; never up and down. Exercise extreme caution when changing direction on slopes.
2. Watch for holes, ruts, rocks, hidden objects, or bumps which can cause you to slip or trip. Tall grass can hide obstacles.
3. Always be sure of your footing. A slip and fall can cause serious personal injury. If you feel you are losing your balance, release the blade control handle immediately, and the blade will stop rotating within 3 seconds.

Do Not:

1. Do not mow near drop-offs, ditches or embankments, you could lose your footing or balance.
2. Do not mow slopes greater than 15 degrees as shown on the slope gauge.
3. Do not mow on wet grass. Unstable footing could cause slipping.

Children

Tragic accidents can occur if the operator is not alert to the presence of children. Children are often attracted to the mower and the mowing activity. They do not understand the dangers. Never assume that children will remain where you last saw them.

1. Keep children out of the mowing area and under the watchful care of a responsible adult other than the operator.
2. Be alert and turn mower off if a child enters the area.
3. Before and while moving backwards, look behind and down for small children.
4. Use extreme care when approaching blind corners, doorways, shrubs, trees, or other objects that may obscure your vision of a child who may run into the mower.
5. Keep children away from hot or running engines. They can suffer burns from a hot muffler.
6. Never allow children under 14 years old to operate a power mower. Children 14 years old and over should read and understand the operation instructions and safety rules in this manual and should be trained and supervised by a parent.

Service

Safe Handling Of Gasoline:

1. To avoid personal injury or property damage use extreme care in handling gasoline. Gasoline is extremely flammable and the vapors are explosive. Serious personal injury can occur when gasoline is spilled on yourself or your clothes which can ignite.
2. Wash your skin and change clothes immediately.
3. Use only an approved gasoline container.
4. Never fill containers inside a vehicle or on a truck or trailer bed with a plastic liner. Always place containers on the ground away from your vehicle before filling.
5. Remove gas-powered equipment from the truck or trailer and refuel it on the ground. If this is not possible, then refuel such equipment on a trailer with a portable container, rather than from a gasoline dispenser nozzle.
6. Keep the nozzle in contact with the rim of the fuel tank or container opening at all times until fueling is complete. Do not use a nozzle lock-open device.
7. Extinguish all cigarettes, cigars, pipes and other sources of ignition.

8. Never fuel machine indoors because flammable vapors will accumulate in the area.
9. Never remove gas cap or add fuel while the engine is hot or running. Allow engine to cool at least two minutes before refueling.
10. Never over fill fuel tank. Fill tank to no more than ½ inch below bottom of filler neck to provide for fuel expansion.
11. Replace gasoline cap and tighten securely.
12. If gasoline is spilled, wipe it off the engine and equipment. Move unit to another area. Wait 5 minutes before starting the engine.
13. Never store the machine or fuel container near an open flame, spark or pilot light as on a water heater, space heater, furnace, clothes dryer or other gas appliances.
14. To reduce fire hazard, keep mower free of grass, leaves, or other debris build-up. Clean up oil or fuel spillage and remove any fuel soaked debris.
15. Allow a mower to cool at least 5 minutes before storing.

General Service:

1. Never run an engine indoors or in a poorly ventilated area. Engine exhaust contains carbon monoxide, an odorless and deadly gas.
2. Before cleaning, repairing, or inspecting, make certain the blade and all moving parts have stopped. Disconnect the spark plug wire and ground against the engine to prevent unintended starting.
3. Check the blade and engine mounting bolts at frequent intervals for proper tightness. Also, visually inspect blade for damage (e.g., bent, cracked, worn) Replace blade with the original equipment manufacturer's (O.E.M.) blade only, listed in this manual. "Use of parts which do not meet the original equipment specifications may lead to improper performance and compromise safety!"
4. Mower blades are sharp and can cut. Wrap the blade or wear gloves, and use extra caution when servicing them.
5. Keep all nuts, bolts, and screws tight to be sure the equipment is in safe working condition.
6. Never tamper with safety devices. Check their proper operation regularly.
7. After striking a foreign object, stop the engine, disconnect the spark plug wire and ground against the engine. Thoroughly inspect the mower for any damage. Repair the damage before starting and operating the mower.
8. Never attempt to make a wheel or cutting height adjustment while the engine is running.
9. Grass catcher components, discharge cover, and trail shield are subject to wear and damage which could expose moving parts or allow objects to be thrown. For safety protection, frequently check components and replace immediately with original equipment manufacturer's (O.E.M.) parts only, listed in this manual. "Use of parts which do not meet the original equipment specifications may lead to improper performance and compromise safety!"
10. Do not change the engine governor setting or overspeed the engine. The governor controls the maximum safe operating speed of the engine.
11. Maintain or replace safety labels, as necessary.
12. Observe proper disposal laws and regulations. Improper disposal of fluids and materials can harm the environment.

2

Safe Operation Practices



WARNING

This symbol points out important safety instructions which, if not followed, could endanger the personal safety and/or property of yourself and others. Read and follow all instructions in this manual before attempting to operate this machine. Failure to comply with these instructions may result in personal injury. When you see this symbol. **HEED ITS WARNING!**

Your Responsibility
Restrict the use of this power machine to persons who read, understand and follow the warnings and instructions in this manual and on the machine.

3

Setup and Adjustments



Your mower is shipped with the handle in the higher height position. **NOTE:** Each end of the lower handle must be placed in the same relative position.

IMPORTANT
This unit is shipped **WITHOUT GASOLINE or OIL.** After assembly, service engine with gasoline and oil as instructed in the separate engine manual packed with your unit.

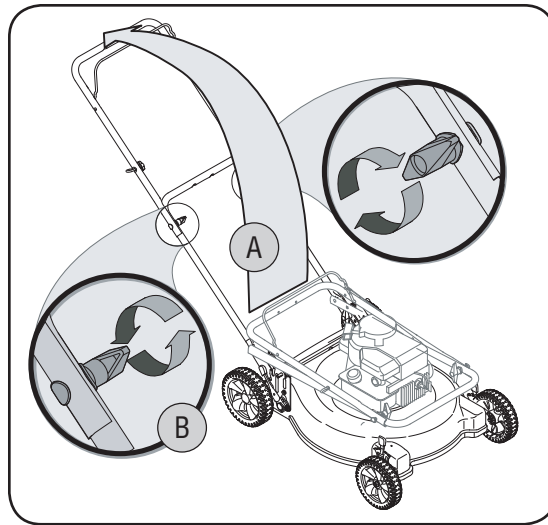


Figure 1

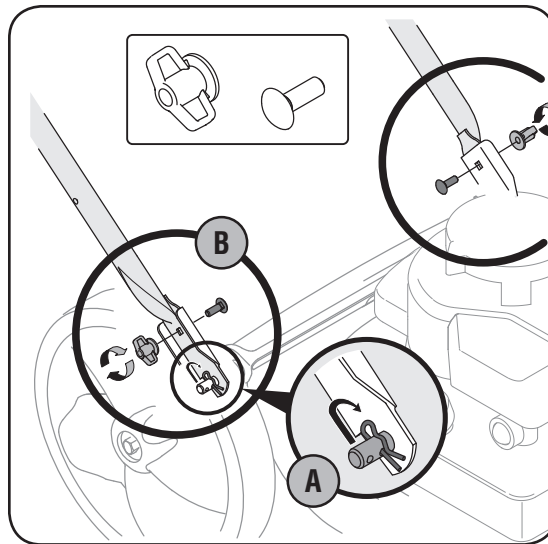


Figure 2

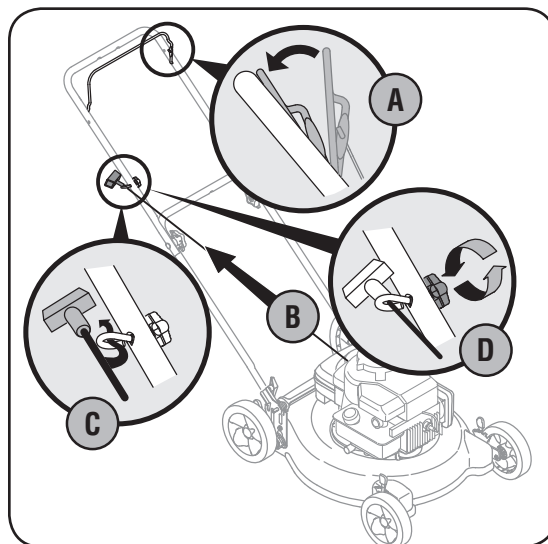


Figure 3



WARNING: Disconnect and ground the spark plug wire as instructed in the separate engine manual.

1. Remove any packing material which may be between upper and lower handles.
 - a. Pull up and back on the upper handle to raise the handle from position A into the operating position B. See Figure 2.
 - b. Tighten hand knobs (star knobs) securing upper handle to lower handle. Make sure that each carriage bolt is seated properly in the handle.

NOTE: On some models wing nuts have been replaced with star knobs. Figures show wing nuts only.

2. Locate hairpin clip in one hole on the weld pin on each side of lower handle.
 - a. Remove hairpin clip from this hole. Using a pair of pliers, insert hairpin clip into the other hole on the weld pin. Repeat on other side.
 - b. Place one carriage bolt (found in the hardware pack included with your unit) in the upper hole of the right handle mounting bracket from the inside outward. See Figure 2. Secure with one wing nut (star knobs). Repeat process on the left side.
3. Rope guide Setup as follows, see Figure 3:
 - a. Hold the blade control against the upper handle. Position A.
 - b. Slowly pull starter rope out of engine. Position B.
 - c. Slip starter rope into the rope guide. Position C.
 - d. Tighten rope guide wing nut (star knobs). Position D.
4. Insert post on cable ties into holes provided on the lower handle. Pull cable tie tight and trim excess. See Figure 4.

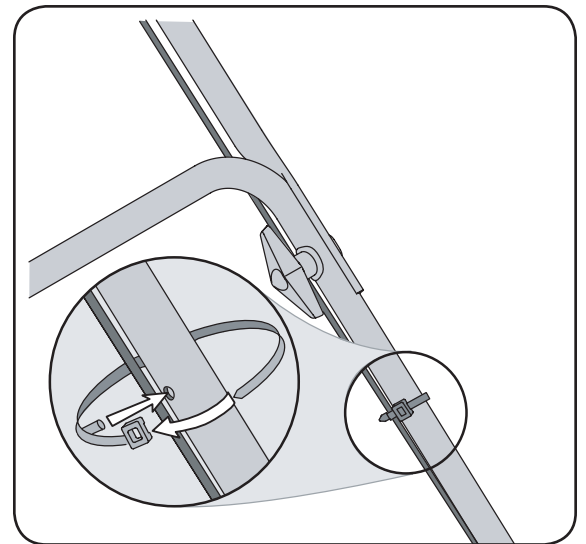


Figure 4

5. Each wheel has a height adjustment lever to change the cutting height of the mower. To change the height of cut, squeeze adjuster lever toward the wheel, moving up or down to selected height. See Figure 5.

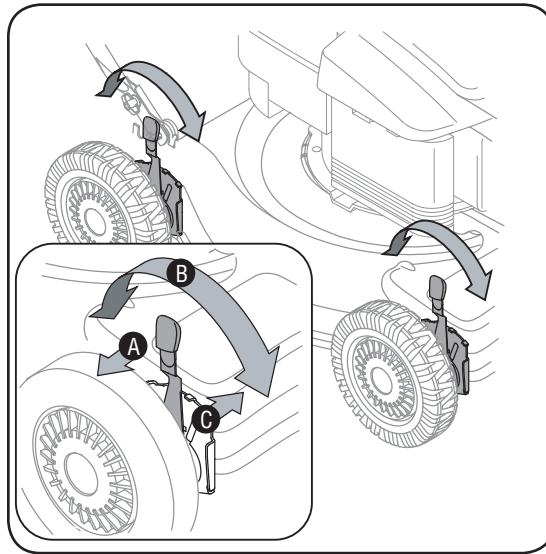


Figure 5

6. To assemble the grasscatcher:
 - a. Place bag over frame (black plastic side is the bottom of bag.) Insert the hooks on the frame through the holes in the side plastic channels of the bag. See Figure 6.
 - b. Secure bag to frame by working the plastic channels on bag over frame as shown in Figure 6. All of the plastic channels except center top of bag attach from the outside of bag. Center top of bag attaches from the inside of bag.
7. Attaching Grass Catcher to Mower
 - a. Lift the rear discharge door on the mower, and place the grass catcher on the pivot rod. Let go of discharge door so that it rests on the grass catcher. See Figure 7.

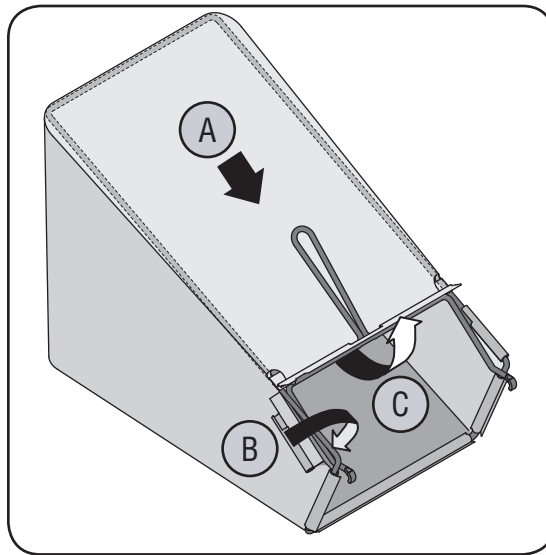


Figure 6

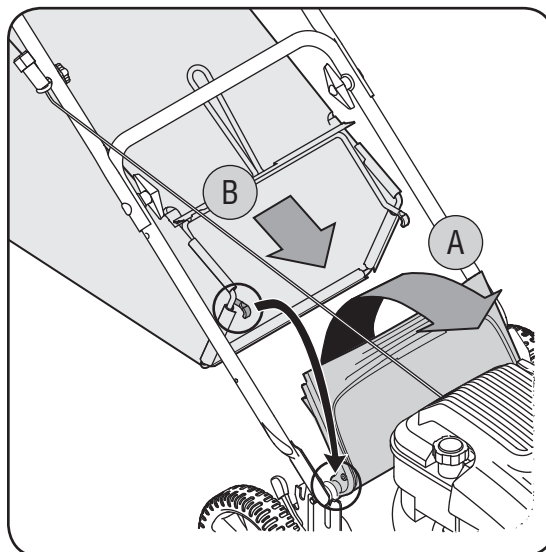


Figure 7

WARNING: Never operate mower unless the hooks on the grass catcher are firmly seated on the pivot rod, and the rear discharge door rests firmly against top of the grass catcher.

8. To remove grass catcher and utilize the mulching feature:
 - a. Lift rear discharge door on the mower as shown in Figure 7. Lift grass catcher up and out, off of the pivot rod. Release rear discharge door to allow it to close rear opening of mower.

3

Setup and Adjustments



NOTE: Make certain bag is turned right side out before assembling (warning label will be on the outside).

NOTE: Make certain cables are routed to the outside of the handle so they are not in the way when attaching the grass catcher.



WARNING

Never operate mower unless the hooks on the grass catcher are firmly seated on the pivot rod, and the rear discharge door rests firmly against top of the grass catcher.

4

Operating Your Lawn Mower



WARNING

Read, understand, and follow all instructions and warnings on the machine and in this manual before operating.

This blade control mechanism is a safety device. Never attempt to bypass its operations.

Use extreme care when handling gasoline. Gasoline is extremely flammable and the vapors are explosive. Never fuel the machine indoors or while the engine is hot or running. Extinguish cigarettes, cigars, pipes and other sources of ignition.

Know Your Lawn Mower

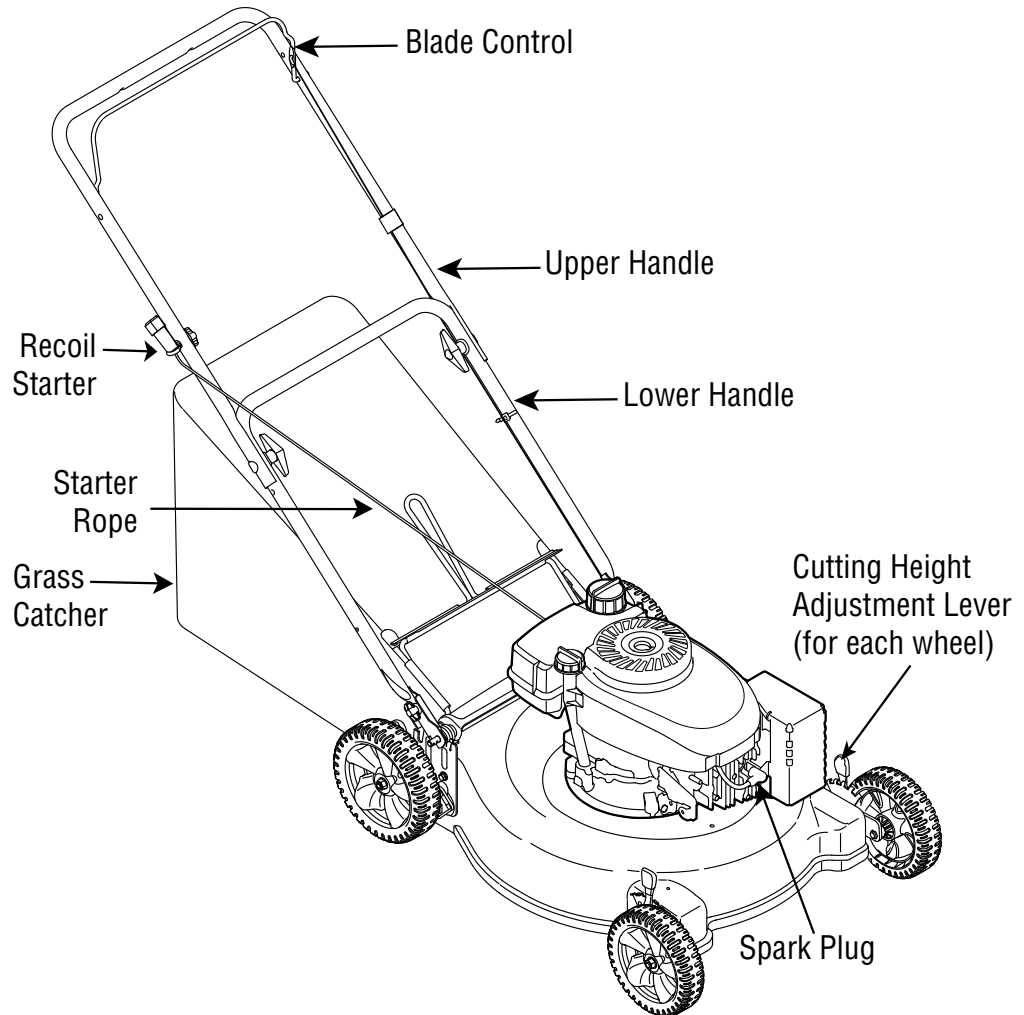


Figure 8

Blade Control Handle

The blade control handle is located on the upper handle of the mower. See Figure 8. The blade control handle must be depressed in order to operate the unit. Release the blade control handle to stop the engine and blade.

Recoil Starter

The recoil starter is attached to the right upper handle. Stand behind the unit and pull the recoil starter rope to start the unit.

Cutting Height Adjustment Levers (If so equipped)

One adjustment lever is located on each wheel and is used to adjust the cutting height. All four levers have to be at the same relative position to ensure uniform cut.

Before Starting

1. Service the engine with gasoline and oil as instructed in the separate engine manual.
2. Attach spark plug wire to spark plug. If unit is equipped with a rubber boot over the end of the spark plug wire, make certain the metal loop on the end of the spark plug wire (inside the rubber boot) is fastened securely over the metal tip on the spark plug.

To Start Engine

1. If your unit is equipped with a primer, prime engine as instructed in the separate engine manual packed with your unit.
2. Standing behind the unit, depress the blade control handle and hold it against the upper handle as shown in Figure 9.
3. Grasp the starter handle as shown and pull slowly until resistance is felt, then pull rapidly to start engine and avoid kickback. Return it slowly to the rope guide.

To Stop Engine

1. Release the blade control handle to stop the engine and blade.



WARNING: The blade continues to rotate for a few seconds after the engine is shut off.

2. Disconnect and ground the spark plug wire as instructed in the separate engine manual to prevent accidental starting while equipment is unattended.

Using Your Lawn Mower



WARNING: Never operate your mower without either the rear door or the entire grass catcher assembly firmly secured.

Be sure the lawn is clear of stones, sticks, wire, or other objects which could damage the lawn mower or the engine. Such objects could be accidentally thrown by the mower in any direction and cause serious personal injury to the operator and others.



WARNING: If you strike a foreign object, stop the engine. Remove wire from the spark plug, thoroughly inspect the mower for any damage, and repair the damage before restarting and operating the mower. Extensive vibration of the mower during operation is an indication of damage. The unit should be promptly inspected and repaired.

Operating Tips

1. For best results and effective mulching, do not cut wet grass.
2. New grass, thick grass, or wet grass may require a narrower cut.
3. For a healthier lawn, never cut off more than one-third of the total length of the grass.
4. Your lawn should be cut in the fall as long as there is growth.
5. Adjust ground speed according to condition of lawn.
6. If the grass has been allowed to grow in excess of 4 inches, mulching is not recommended. Mow using the grass catcher to reduce the grass height to 3-1/4 inches or less before mulching.

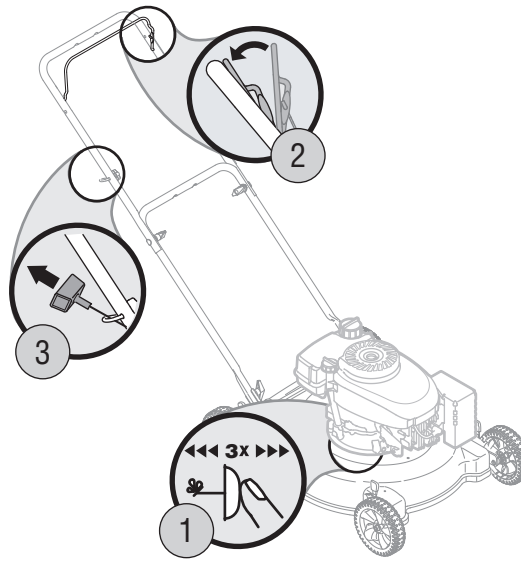


Figure 9



WARNING: Wait for the blade to stop completely before doing any work on the mower or to remove the grass catcher.

Using Grass Catcher

You can use the grass catcher to collect clippings while you are operating the mower.

1. Attach grass catcher following instructions on page 7. Grass clippings will automatically collect in the bag as you run the mower. Operate the mower till the grass bag is full.
2. Stop engine completely by releasing the blade control handle. Make sure that the unit has come to a complete stop.
3. Lift discharge door and pull grass bag up and away from the mower to dispose of the grass clippings.

4

Operating Your Lawn Mower



WARNING

The operation of any lawn mower can result in foreign objects being thrown into the eyes, which can damage your eyes severely. Always wear safety glasses while operating the mower, or while performing any adjustments or repairs on it.

Be sure no one other than the operator is standing near the lawn mower while starting engine or operating mower. Never run engine indoors or in enclosed, poorly ventilated areas. Engine exhaust contains carbon monoxide, an odorless and deadly gas. Keep hands, feet, hair and loose clothing away from any moving parts on engine and lawn mower.

5

Maintenance



WARNING

Always stop engine, disconnect spark plug, and ground against engine before cleaning, lubricating or doing any kind of maintenance on your machine.



We do not recommend the use of pressure washers or garden hose to clean your unit. These may cause damage to electrical components, spindles, pulleys, bearings, or the engine. The use of water will result in shortened life and reduce serviceability.

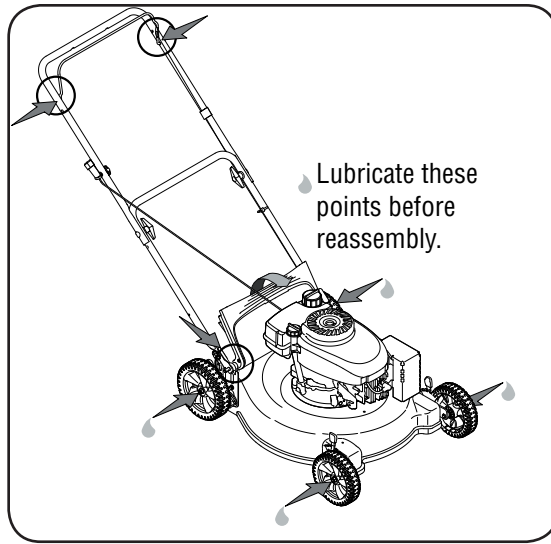


Figure 10

General Recommendations

1. Always observe safety rules when performing any maintenance.
2. The warranty on this lawn mower does not cover items that have been subjected to operator abuse or negligence. To receive full value from warranty, operator must maintain the lawn mower as instructed here.
3. Changing of engine-governed speed will void engine warranty.
4. All adjustments should be checked at least once each season.
5. Periodically check all fasteners and make sure these are tight.

Lubrication

1. Lubricate the pivot points on the blade control handle at least once a season with light oil. The blade control must operate freely in both directions. See Figure 10.
2. If your mower is equipped with ball bearing wheels, lubricate at least once a season with a light oil, all other types require no lubrication. However, if the wheels are removed for any reason, lubricate the surface of the axle bolt and the inner surface of the wheel with light automotive oil.
3. Lubricate the torsion spring and pivot point on the rear door periodically with light oil to prevent rust. See Figure 10.
4. Follow the accompanying engine manual for lubrication schedule and instruction.

Engine

1. Refer to the separate engine manual for engine maintenance instructions.
2. Maintain engine oil as instructed in the separate engine manual packed with your unit. Read and follow instructions carefully.
3. Under normal conditions service air cleaner as instructed in the separate engine manual packed with your unit. Clean every few hours under extremely dusty conditions. Poor engine performance and flooding usually indicates that the air cleaner should be serviced.
4. The spark plug should be cleaned and the gap reset once a season. Spark plug replacement is recommended at the start of each mowing season; check engine manual for correct plug type and gap specifications.

NOTE: This spark ignition system meets all requirements of the Canadian Interference-Causing Equipment Regulations.

5. Clean the engine regularly with a cloth or brush. Keep the cooling system (blower housing area) clean to permit proper air circulation which is essential to engine performance and life. Be certain to remove all grass, dirt and combustible debris from muffler area.

Deck

The underside of the mower deck should be cleaned after each use to prevent a buildup of grass clippings, leaves, dirt or other matter. If this debris is allowed to accumulate, it will invite rust and corrosion, and may prevent proper mulching.

The deck may be cleaned by tilting the mower and scraping clean with a suitable tool (make certain the spark plug wire is disconnected).

Blade Care



WARNING: When removing the cutting blade for sharpening or replacement, protect your hands with a pair of heavy gloves or use a heavy rag to hold the blade.

Periodically inspect the blade adapter for cracks, especially if you strike a foreign object. Replace when necessary. Follow the steps below for blade service:

1. Disconnect spark plug wire from spark plug.
2. Tip mower as specified in separate engine manual. If it does not specify turn mower on its side making sure that the air filter and the carburetor are up.
3. Remove the bolt and the blade bell support which hold the blade and the blade adapter to the engine crankshaft. See Figure 11.

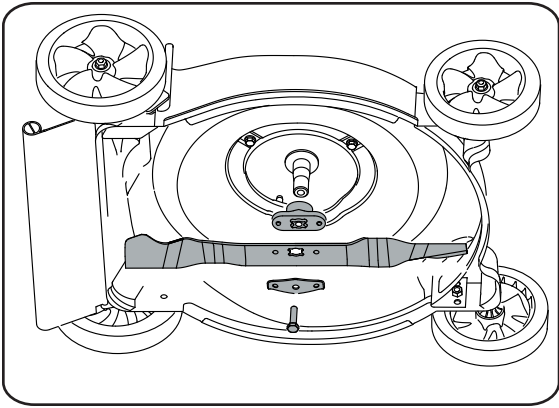


Figure 11

4. Remove blade and adapter from the crankshaft.
5. The blade may be resharpened by removing it and either grinding or filing the cutting edge keeping as close to the original bevel as possible. Do not attempt to sharpen the blade while it is still on the mower.
6. It is **extremely important** that each cutting edge receives an equal amount of grinding to prevent an unbalanced blade.

NOTE: Improper blade balance will result in excessive vibration causing eventual damage to the engine and mower. Be sure to carefully balance blade after sharpening. Possible damage resulting from blade unbalance condition is not the responsibility of the manufacturer.

NOTE: Always remove blade from the adapter for testing balance.

7. The blade can be tested for balance by balancing it on a round shaft screwdriver. Remove metal from the heavy side until it balances evenly.
8. Before reassembling the blade and the blade adapter to the unit, lubricate the engine crankshaft and the inner surface of the blade adapter with light oil.
9. Install the blade adapter on the crankshaft with the "star" away from the engine. See Figure 11. Place the blade with the side marked "bottom" (or with part number) facing away from the adapter. Align the blade bell support over the blade with the tabs in the holes of the blade and insert the hex bolt.
10. Tighten the hex bolt to the torque listed below:

Blade Mounting Torque

Center Bolt 450 in. lb. min., 600 in.lb. max.

To insure safe operation of your unit, ALL nuts and bolts must be checked periodically for correct tightness.

Rear Flap Replacement

1. The rear flap is attached to the back of the mower deck, and is designed to minimize the possibility that objects will be thrown from the rear of the mower toward the operator. If the rear flap becomes damaged, replace as follows.
2. To remove the old rear flap, cut off the flat end of the wire rod which secures it to the deck using a pair of side-cutters. Attach the new rear flap using the new rod provided with the rear flap, bending the ends of the rod over to secure.

Off-Season Storage

The following steps should be taken to prepare your lawn mower for storage.

1. Clean and lubricate mower thoroughly as described in the lubrication instructions.
2. We do not recommend the use of a pressure washer or garden hose to clean your unit.
3. Refer to engine manual for correct engine storage instructions.
4. Coat mower's cutting blade with chassis grease to prevent rusting.
5. Store mower in a dry, clean area. Do not store next to corrosive materials, such as fertilizer.

NOTE: When storing any type of power equipment in a poorly ventilated or metal storage shed, care should be taken to rust-proof the equipment. Using a light oil or silicone, coat the equipment, especially cables and all moving parts of your lawn mower before storage.

5

Maintenance



WARNING

When removing the cutting blade for sharpening or replacement, protect your hands with a pair of heavy gloves or use a heavy rag to hold the blade.

An unbalanced blade will cause excessive vibration when rotating at high speeds. It may cause damage to mower, and could break causing personal injury.



Cutting grass in sandy soil condition causes abrasive wear to the blade.

6

Trouble Shooting



For repairs beyond the minor adjustments listed here, contact an authorized service dealer.

Problem	Cause	Remedy
Engine fails to start	<ol style="list-style-type: none"> 1. Blade control handle disengaged. 2. Spark plug wire disconnected. 3. Fuel tank empty or stale fuel. 4. Engine not primed. 5. Faulty spark plug. 6. Blocked fuel line. 7. Engine flooding. 	<ol style="list-style-type: none"> 1. Engage blade control handle. 2. Connect wire to spark plug. 3. Fill tank with clean, fresh gasoline. 4. Refer to engine manual. 5. Clean, adjust gap, or replace. 6. Clean fuel line. 7. Wait a few minutes to restart, but do not prime.
Engine runs erratic	<ol style="list-style-type: none"> 1. Spark plug wire loose. 2. Blocked fuel line or stale fuel. 3. Gas cap vent plugged. 4. Water or dirt in fuel system. 5. Dirty air cleaner. 6. Carburetor out of adjustment. 	<ol style="list-style-type: none"> 1. Connect and tighten spark plug wire. 2. Clean fuel line; fill tank with clean, fresh gasoline. 3. Clear vent. 4. Drain fuel tank and carburetor. Refill with fresh fuel. 5. Refer to engine manual. 6. Refer to engine manual.
Engine overheats	<ol style="list-style-type: none"> 1. Engine oil level low. 2. Dirty air filter. 3. Air flow restricted. 4. Carburetor not adjusted properly. 	<ol style="list-style-type: none"> 1. Fill crankcase with proper oil. 2. Refer to the engine manual packed with your unit. 3. Remove blower housing and clean. 4. Refer to engine manual.
Occasional skip (hesitates) at high speed	<ol style="list-style-type: none"> 1. Spark plug gap too close. 2. Carburetor idle mixture adjustment improperly set. 	<ol style="list-style-type: none"> 1. Adjust gap to .030". Refer to engine manual. 2. Refer to engine manual.
Idles poorly	<ol style="list-style-type: none"> 1. Spark plug fouled, faulty or gap too wide. 2. Carburetor improperly adjusted. 3. Dirty air cleaner. 	<ol style="list-style-type: none"> 1. Reset gap to .030" or replace spark plug. Refer to engine manual. 2. Refer to engine manual. 3. Refer to engine manual.
Excessive vibration	<ol style="list-style-type: none"> 1. Cutting Blade loose or unbalanced. 2. Bent cutting blade. 	<ol style="list-style-type: none"> 1. Tighten blade and adapter. Balance blade 2. Replace blade.
Mower will not mulch grass	<ol style="list-style-type: none"> 1. Wet grass. 2. Excessive high grass. 3. Dull blade. 	<ol style="list-style-type: none"> 1. Do not mow when grass is wet; wait until later to cut. 2. Mow once at a high cutting height, then mow again at desired height or make a narrower cutting path. 3. Sharpen or replace blade.
Uneven cut	<ol style="list-style-type: none"> 1. Wheels not positioned correctly. 2. Dull blade. 	<ol style="list-style-type: none"> 1. Place all four wheels in same height position. 2. Sharpen or replace blade.

MANUFACTURER'S LIMITED WARRANTY FOR

The limited warranty set forth below is given by MTD LLC with respect to new merchandise purchased and used in the United States and/or its territories and possessions, and by MTD Products Limited with respect to new merchandise purchased and used in Canada and/or its territories and possessions (either entity respectively, "MTD").

MTD warrants this product (excluding its normal wear parts as described below) against defects in material and workmanship for a period of two (2) years commencing on the date of original purchase and will, at its option, repair or replace, free of charge, any part found to be defective in materials or workmanship. This limited warranty shall only apply if this product has been operated and maintained in accordance with the Operator's Manual furnished with the product, and has not been subject to misuse, abuse, commercial use, neglect, accident, improper maintenance, alteration, vandalism, theft, fire, water, or damage because of other peril or natural disaster. Damage resulting from the installation or use of any part, accessory or attachment not approved by MTD for use with the product(s) covered by this manual will void your warranty as to any resulting damage.

Normal wear parts are warranted to be free from defects in material and workmanship for a period of thirty (30) days from the date of purchase. Normal wear parts include, but are not limited to items such as: batteries, belts, blades, blade adapters, grass bags, rider deck wheels, seats, snow thrower skid shoes, friction wheels, shave plates, auger spiral rubber and tires.

HOW TO OBTAIN SERVICE: Warranty service is available, WITH PROOF OF PURCHASE, through your local authorized service dealer. To locate the dealer in your area;

In the U.S.A.: Check your Yellow Pages, or contact MTD LLC at P.O. Box 361131, Cleveland, Ohio 44136-0019, or call 1-800-800-7310 or 1-330-220-4683 or log on to our Web site at www.mtdproducts.com.

In Canada: Contact MTD Products Limited, Kitchener, ON N2G 4J1, or call 1-800-668-1238 or log on to our Web site at www.mtdcanada.com.

This limited warranty does not provide coverage in the following cases:

- a. The engine or component parts thereof. These items may carry a separate manufacturer's warranty. Refer to applicable manufacturer's warranty for terms and conditions.
- b. Log splitter pumps, valves, and cylinders have a separate one-year warranty.
- c. Routine maintenance items such as lubricants, filters, blade sharpening, tune-ups, brake adjustments, clutch adjustments, deck adjustments, and normal deterioration of the exterior finish due to use or exposure.
- d. Service completed by someone other than an authorized service dealer.
- e. MTD does not extend any warranty for products sold or exported outside of the United States and/or Canada, and their respective possessions and territories, except those sold through MTD's authorized channels of export distribution.
- f. Replacement parts that are not genuine MTD parts.
- g. Transportation charges and service calls.
- h. If Products are used commercially. (MTD may separately offer Limited Commercial Warranties on certain select products. Ask your dealer or retailer for details or contact MTD Service for more information.)

No implied warranty, including any implied warranty of merchantability of fitness for a particular purpose, applies after the applicable period of express written warranty above as to the parts as identified. No other express warranty, whether written or oral, except as mentioned above, given by any person or entity, including a dealer or retailer, with respect to any product, shall bind MTD. During the period of the warranty, the exclusive remedy is repair or replacement of the product as set forth above.

The provisions as set forth in this warranty provide the sole and exclusive remedy arising from the sale. MTD shall not be liable for incidental or consequential loss or damage including, without limitation, expenses incurred for substitute or replacement lawn care services or for rental expenses to temporarily replace a warranted product.

Some jurisdictions do not allow the exclusion or limitation of incidental or consequential damages, or limitations on how long an implied warranty lasts, so the above exclusions or limitations may not apply to you.

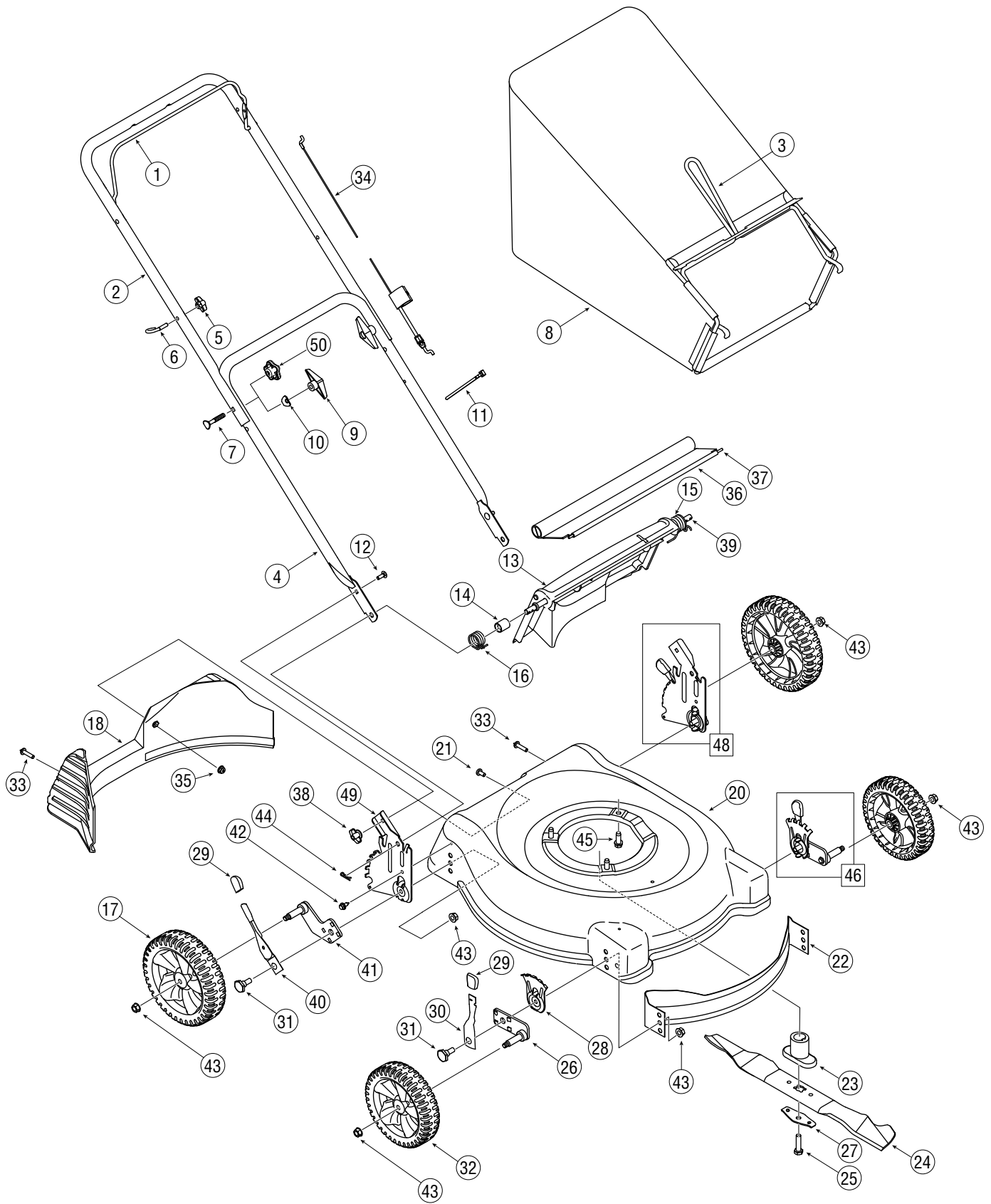
In no event shall recovery of any kind be greater than the amount of the purchase price of the product sold. **Alteration of safety features of the product shall void this warranty.** You assume the risk and liability for loss, damage, or injury to you and your property and/or to others and their property arising out of the misuse or inability to use the product.

This limited warranty shall not extend to anyone other than the original purchaser or to the person for whom it was purchased as a gift.

HOW LOCAL LAWS RELATE TO THIS WARRANTY: This limited warranty gives you specific legal rights, and you may also have other rights that vary in different jurisdictions.

IMPORTANT: Owner must present Original Proof of Purchase to obtain warranty coverage.

MTD LLC, P.O. BOX 361131 CLEVELAND, OHIO 44136-0019; Phone: 1-800-800-7310, 1-330-220-4683
MTD Products Ltd., P. O. BOX 1386, KITCHENER, ON N2G 4J1; Phone: 1-800-668-1238



REF NO. N° DE RÉF	PART NO. N° DE PIÈCE	DESCRIPTION	DESCRIPTION
1	747-1161A	Blade Control Handle - Black	Poignée de commande de la lame - noir
2	749-1092A	Upper Handle - Black	Guidon supérieur - noir
3	747-04080	Catcher Lower Frame	Sac à herbe - bâti inférieur
4	749-0928A	Lower Handle	Guidon inférieur
5	720-0279	Knob 1/4-20	Bouton 1/4-20
6	710-1205	Rope Guide Bolt	Boulon de guidage de cordon
7	710-1174	Curved Carriage Bolt 5/16-18 x 2.00	Boulon ordinaire courbé 5/16-18 x 2,00
8	664-04007A	Generic Grasscatcher Bag	Sac à herbe
	664-04027	Grasscatcher Bag YM	Sac à herbe YM
9	720-0284	Knob 5/16-18	Bouton 5/16-18
10	736-0451	Saddle Washer	Rondelle selle
11	726-0240	Cable Tie	Attache câble
12	710-0703	Carriage Bolt 1/4-20 x .75 Gr. 1	Boulon ordinaire 1/4-20 x 0,75 Qual. 1
13	731-04134A	RB Chute Door	Porte de goulotte
14	750-04162	Spacer .390 x .810 x .950	Entretoise 0,390 x 0,810 x 0,950
15	732-04089A	LH Torsion Spring	Ressort de torsion CG
16	732-04090A	RH Torsion Spring	Ressort de torsion CD
17	734-1987	Wheel Ass'y 8 x 1.8 Spoke Bar Grey	Ensemble de roue 8 x 1,8 Gris
18	734-04150	RR Baffle	Déflecteur de déchetage arrière droit
20	787-01276	21" Deck Ass'y	Plateau de coupe de 21 po
21	710-0286	Mach. Scr. Pan Phil. 1/4-20 x .50	Vis de renforcement à usinée 1/4-20 x 0,50
22	782-5002B	Front Baffle 21"	Déflecteur de déchetage avant 21 po
23	748-04082	Blade Adapter	Adaptateur de la lame
24	742-0641	21" Blade (w/star)	Lame 21 po (avec étoile)
	742-0741	21" Mulching Blade (w/star)	Lame de déchetage 21 po (avec étoile)
25	710-1257	Hex Bolt 3/8-24 x 2.5" Lg. Gr. 8	Vis à tête hex. 3/8-24 x 2,50 po de lg Qual. 8
26	687-02077A	Pivot Bar RH	Barre de pivot CD
	687-02078A	Pivot Bar LH	Barre de pivot CG
27	736-0524B	Blade Bell Support	Support de la lame
28	787-01290	Height Adjuster Plate	Plaque de réglage de roue
29	720-0426	Knob	Bouton
30	732-0404	Spring Lever Ass'y (w/knob)	Levier de ressort (avec bouton)
31	738-0507B	Shoulder Screw .50 Dia.	Vis à épaulement 0,50 Dia.
32	734-1988	Wheel Ass'y 7 x 1.8 Spoke Bar Grey	Ensemble de roue 7 x 1,8 Gris
33	710-04371	Hex. L-Scr. 1/4-15 x 1.5	Vis hex. 1/4-15 x 1,50
34	746-1137	Control Cable 53.0" Lg. Snap-on	Câble de la commande 53,0 po de lg.
35	712-04064	Flanged Lock Nut 1/4-20 Gr. F Nylon	Écrou de blocage 1/4-20 Qual. F nylon
36	731-04998	Rear Flap	Abattant de protection arrière
37	732-0700	Wire	Fil
38	712-0397	Wingnut 1/4-20	Écrou à oreilles
39	747-04035	Pivot Rod	Tige de pivotement
40	687-02078	Spring Lever SP (w/knob)	Ressort de levier (avec bouton)
	720-0426	Knob	Bouton
41	687-02071	Pivot Bar RH SP	Barre de pivot - Droit
	687-02070	Pivot Bar LH SP (not shown)	Barre de pivot - Gauche (non illustrée)
42	710-1652	Hex HD. TT Tap Scr. 1/4-20 x 5/8	Vis TT à rondelle-frein hex. 1/4 x 5/8
43	712-0431	Flange Locknut 3/8-16	Écrou de blocage 3/8-16
44	714-0104	Int. Cotter Pin 5/16 DIA	Goupille fendue 5/16 DIA.
45	710-0654A	Hex Wash HD Tap Scr 3/8-16 x .88	Vis autotaraudée 3/8-16 x 0,88
46	687-02099A	Height Adj. Ass'y LH (w/knob)	Ensemble de réglage de roue CG (avec bouton)
	687-02100A	Height Adj. Ass'y RH (w/knob)	Ensemble de réglage de roue CD (avec bouton)
48	687-02069	LH Rear Height Adj. Ass'y Complete	Ensemble de réglage de roue CG (complet)
	687-02068	RH Rear Height Adj. Ass'y Complete	Ensemble de réglage de roue CD (complet)
49	787-01143A	LH Height Adj. Brkt.	Ensemble de réglage de roue CG
	787-01144A	RH Height Adj. Brkt.	Ensemble de réglage de roue CD
50	720-04072	Knob - Star 5/16-18	Bouton - étoile 5/16-18

11A-41X
11.16.05

7

Parts List Pièces détachées



For parts and/or accessories refer to customer support on page 2.

Adressez-vous au «Service après-vente» à la page 2 pour ce qui concerne les pièces et/ou accessoires.

GARANTIE DU FABRICANT

La garantie limitée qui est énoncée ci-dessous est offerte par MTD LLC pour toutes les marchandises neuves achetées et utilisées au Canada et/ou ses territoires dans ses possessions et territoires, et par MTD Products Limited, pour toutes les marchandises neuves achetées et utilisées au Canada et/ou ses territoires (l'une ou l'autre entité respectivement appelée « MTD »).

« MTD » garantit que ce produit (à l'exception des pièces à usure normale énumérées ci-dessous) est exempt de tout vice de matière et de fabrication pour une durée de deux (2) ans à compter de la date de l'achat initial et s'engage à réparer ou à remplacer, gratuitement et à son choix, toute pièce qui s'avère défectueuse en raison d'un vice de matière ou de fabrication. Cette garantie limitée n'est applicable que si ce produit a été utilisé et entretenu conformément aux instructions de la notice d'utilisation qui l'accompagne. De plus, le produit ne doit pas avoir fait l'objet d'un emploi incorrect ou abusif, d'une utilisation à des fins commerciales, d'une négligence, d'un accident, d'un entretien incorrect, d'une modification, d'un acte de vandalisme, d'un vol, d'un incendie, d'une inondation ou de tout autre dégat causé par tout incident ou désastre naturel. Les dégâts causés par l'installation ou l'utilisation d'une pièce, d'un accessoire ou d'un équipement annexe, dont l'emploi avec le produit faisant l'objet de la notice d'utilisation n'est pas homologué par MTD, rendront la garantie nulle et non avenue.

Les pièces ou composants à usure normale sont garantis exempts de tout vice de matière et de fabrication pour une période de 30 jours à compter de la date d'achat. Les pièces et composants à usure normale comprennent, sans s'y limiter, les batteries, courroies, lames, adaptateurs de lame, sacs à herbe, roues du plateau de coupe, sièges, patins de souffluses, roues de frottement, lames de raclage, le caoutchouc de la tarrière et pneus.

POUR FAIRE HONORER LA GARANTIE : Présentez UNE PREUVE D'ACHAT à la station technique agréée de votre localité. Pour localiser une station technique agréée ou un concessionnaire dans votre région :

Aux États-Unis : Consultez les Pages Jaunes ou adressez-vous à MTD LLC, P.O. Box 361131, Cleveland, Ohio 44136-0019 ou appelez le 1-800-800-7310 ou le 1-330-220-4683. Vous pouvez aussi visiter notre site web au www.mtdproducts.com

Au Canada : Adressez-vous à MTD Products Limited, Kitchener, Ontario, N2G 4J1 ou appelez le 1-800-668-1238 ou visitez notre site web au www.mtdcanada.com

Cette garantie limitée ne couvre pas :

a. Le moteur ou ses composants. Ces articles peuvent être couverts par une garantie séparée du fabricant. Consultez la garantie du fabricant quant aux conditions.

b. Les pompes, soupapes et pistons des fendeuses à bois sont couverts par une garantie séparée d'un an.

c. Les articles d'entretien courant tels que les lubrifiants, filtres, aiguillages de lame et révisions, les réglages de frein, de l'embrayage ou du plateau de coupe et la détérioration normale de la finition du fait de l'utilisation de la machine ou de son exposition aux intempéries.

d. L'entretien ou les réparations effectuées par quiconque autre qu'une station technique agréée.

e. MTD ne garantit pas les produits vendus ou exportés hors des États-Unis et/ou du Canada, de leurs possessions et territoires respectifs, sauf si ces produits ont été vendus par l'intermédiaire des services d'exportation de MTD.

f. Les pièces de rechange si elles ne sont pas des pièces MTD authentiques.

g. Les frais de transport des machines et de déplacement des techniciens.

h. Les produits utilisés dans un but commercial. Certains produits peuvent être accompagnés d'une garantie limitée MTD séparée pour usage commercial. Renseignez-vous auprès du concessionnaire ou détaillant pour plus de détails ou adressez-vous directement au service après-vente de MTD.)

Aucune garantie tacite, y compris toute garantie tacite de qualité marchande ou d'adaptabilité dans un but particulier, ne s'applique aux pièces identifiées ci-dessus après la période de vigueur de la garantie écrite expresse. Aucune autre garantie expresse, qu'elle soit verbale ou écrite, à l'exception des stipulations ci-dessus, offerte par toute personne ou entité (y compris un concessionnaire/reven-

deur), pour tout produit, n'engage MTD. Pendant la période de garantie, la réparation ou le remplacement du produit ci-dessus constitue le recours exclusif à la disposition du client.

Les stipulations énoncées dans cette garantie offrent le seul recours à la suite de la vente. MTD ne peut être tenue responsable pour toute perte ou tout dommage accessoire ou immatériel comprenant, sans s'y limiter, les frais de remplacement ou de substitution des services d'entretien des pelouses ou les frais de location pour remplacer temporairement un article sous garantie.

Certaines juridictions ne permettent pas l'inclusion ou la restriction des dommages accessoires ou immatériels ou une limite à la durée de la garantie tacite. Par conséquent, les exclusions ci-dessus peuvent ne pas s'appliquer dans votre situation.

Le remboursement ou remplacement quel qu'il soit ne sera en aucun cas supérieur au montant du prix d'achat du produit vendu. **Toute modification des caractéristiques de sécurité rendra la garantie nulle et non avenue.** L'utilisateur assume tout risque et toute responsabilité en cas de perte, de dommage matériel ou de blessure résultant de l'utilisation incorrecte du produit ou de l'incapacité de l'employer.

Cette garantie limitée n'est offerte qu'à l'acheteur initial ou à la personne à laquelle le produit a été offert en cadeau.

LES LOIS LOCALES ET CETTE GARANTIE : Cette garantie limitée vous accorde des droits juridiques spécifiques et vous pouvez bénéficier d'autres droits qui varient selon les juridictions.

IMPORTANT : Le propriétaire doit présenter le reçu original pour faire honorer la garantie.

MTD LLC, P.O. Box 361131, Cleveland, Ohio 44136-0019; téléphone: 1-800-800-7310, 1-330-220-4683
MTD Products Ltd., C.P. 1386, Kitchener, Ontario N2G 4J1; téléphone: 1-800-668-1238

6

Dépannage



Pour toute réparation autre que les ajustements mineurs énumérés ici, adressez-vous à la station technique agréée.

Problème	Cause	Solution
Le moteur ne démarre pas.	<ol style="list-style-type: none"> 1. La poignée de commande de la lame n'est pas embrayée. 2. Fil de la bougie débranché. 3. Le réservoir est vide ou l'essence est éventée. 4. Moteur non amorcé. 5. La bougie est détectueuse. 6. Canalisation de carburant bouchée. 7. Le moteur est noyé. 	<ol style="list-style-type: none"> 1. Embrayez la poignée de commande de la lame. 2. Branchez le fil à la bougie. 3. Faites le plein avec une essence propre et fraîche. 4. Consultez la notice d'utilisation du moteur. 5. Nettoyez, réglez l'écartement ou remplacez la bougie. 6. Nettoyez la canalisation. 7. Attendez quelques minutes avant d'essayer de faire démarrer le moteur.
Le moteur tourne irrégulièrement.	<ol style="list-style-type: none"> 1. Fil de la bougie desserré. 2. La canalisation de carburant est bouchée ou l'essence est éventée. 3. Levent du capuchon du réservoir est bouché. 4. De l'eau ou une saleté est présente dans le système. 5. Le filtre à air est sale. 6. Le carburateur est mal réglé. 	<ol style="list-style-type: none"> 1. Branchez et serrez le fil de la bougie. 2. Nettoyez la canalisation. Faites le plein avec une essence propre et fraîche. 3. Débouchez l'évent. 4. Videz le réservoir à carburant. Faites le plein avec une essence fraîche. 5. Consultez la notice d'utilisation du moteur. 6. Consultez la notice d'utilisation du moteur.
Le moteur tourne irrégulièrement.	<ol style="list-style-type: none"> 1. Niveau d'huile trop bas. 2. Le filtre à air est sale. 3. La circulation d'air est gênée. 4. La carburation est mal réglée. 	<ol style="list-style-type: none"> 1. Faites le plein d'huile du carter. 2. Consultez la notice d'utilisation du moteur. 3. Démontez l'habillage du ventilateur et nettoyez-le. 4. Consultez la notice d'utilisation du moteur.
Le moteur hésite parfois à régime élevé.	<ol style="list-style-type: none"> 1. L'écartement de la bougie est trop petit. 2. Mélange du ralenti du carburateur mal réglé. 	<ol style="list-style-type: none"> 1. Réglez l'écartement à 0,030 po. Consultez la notice d'utilisation du moteur. 2. Consultez la notice d'utilisation du moteur.
Le moteur tourne irrégulièrement.	<ol style="list-style-type: none"> 1. La bougie est sale, détectueuse ou l'écartement est trop grand. 2. Le carburateur est mal réglé. 3. Le filtre à air est sale. 	<ol style="list-style-type: none"> 1. Réglez l'écartement à 0,030 po ou remplacez la bougie. Consultez la notice d'utilisation du moteur. 2. Consultez la notice d'utilisation du moteur. 3. Consultez la notice d'utilisation du moteur.
Vibrations excessives.	<ol style="list-style-type: none"> 1. La lame est desserrée ou mal équilibrée. 2. La lame est déformée. 	<ol style="list-style-type: none"> 1. Serrez la lame et l'adaptateur. Équilibrez la lame. 2. Remplacez la lame.
La tondeuse ne déchiquette pas l'herbe.	<ol style="list-style-type: none"> 1. L'herbe est mouillée. 2. L'herbe est trop haute. 3. La lame est émoussée. 	<ol style="list-style-type: none"> 1. Ne tondez pas quand l'herbe est mouillée. Attendez qu'elle sèche. 2. Coupez l'herbe à un réglage élevé, puis tondez à nouveau à la hauteur voulue ou sur une largeur plus étroite. 3. Aigüisez ou remplacez la lame.
La coupe est irrégulière.	<ol style="list-style-type: none"> 1. Les roues ne sont pas bien positionnées. 2. La lame est émoussée. 	<ol style="list-style-type: none"> 1. Placez les quatre roues à la même hauteur. 2. Aigüisez ou remplacez la lame.

Boulon centrale 450 po-lb min., 600 po-lb max.
Vérifiez périodiquement que TOUTS les écrous et boulons de la machine sont bien serrés.

Couple de montage de la lame

10. Serrez le boulon hex. au couple recommandé ci-dessous:
11. Placez la lame, le côté sur lequel la mention «l'étoile» à l'opposé du moteur. Voir la Figure 11. Placez la lame, le côté sur lequel la mention «Bottom» (ou le numéro de pièce) apparaît, à l'opposé de l'adaptateur. Alignez le support de la lame sur celle-ci en enfonçant les pattes dans les trous de la lame, puis insérez le boulon hex.
9. Placez l'adaptateur de la lame sur le vilebrequin, intérieure de l'adaptateur avec une huile légère. «l'étoile» à l'opposé du moteur. Voir la Figure 11. Placez la lame, le côté sur lequel la mention «Bottom» (ou le numéro de pièce) apparaît, à l'opposé de l'adaptateur. Alignez le support de la lame sur celle-ci en enfonçant les pattes dans les trous de la lame, puis insérez le boulon hex.
8. Avant de remonter la lame et son adaptateur sur la tondeuse, lubrifiez le vilebrequin et la surface intérieure de l'adaptateur avec une huile légère.
7. Vous pouvez vérifier l'équilibre de la lame en la plaçant sur un tournevis à tige ronde. Limez le métal du côté le plus lourd jusqu'à ce que la lame soit parfaitement équilibrée.
6. Il est essentiel que chaque tranchant soit affûté également pour ne pas avoir une lame déséquilibrée. Pour l'affûter à nouveau, démontez-la puis meulez ou limez les bords tranchants en maintenant l'angle aussi près que possible du biseau original. N'essayez pas d'aiguiser la lame encore installée sur la tondeuse.

3. Enlevez le boulon et le support de la lame qui maintiennent la lame et l'adaptateur sur le vilebrequin. Voir la Figure 11.
4. Dégagez la lame et l'adaptateur du vilebrequin.
5. Pour l'affûter à nouveau, démontez-la puis meulez ou limez les bords tranchants en maintenant l'angle aussi près que possible du biseau original. N'essayez pas d'aiguiser la lame encore installée sur la tondeuse.
6. Il est essentiel que chaque tranchant soit affûté également pour ne pas avoir une lame déséquilibrée. Pour l'affûter à nouveau, démontez-la puis meulez ou limez les bords tranchants en maintenant l'angle aussi près que possible du biseau original. N'essayez pas d'aiguiser la lame encore installée sur la tondeuse.
7. Vous pouvez vérifier l'équilibre de la lame en la plaçant sur un tournevis à tige ronde. Limez le métal du côté le plus lourd jusqu'à ce que la lame soit parfaitement équilibrée.
8. Avant de remonter la lame et son adaptateur sur la tondeuse, lubrifiez le vilebrequin et la surface intérieure de l'adaptateur avec une huile légère.
9. Placez l'adaptateur de la lame sur le vilebrequin, «l'étoile» à l'opposé du moteur. Voir la Figure 11. Placez la lame, le côté sur lequel la mention «Bottom» (ou le numéro de pièce) apparaît, à l'opposé de l'adaptateur. Alignez le support de la lame sur celle-ci en enfonçant les pattes dans les trous de la lame, puis insérez le boulon hex.
10. Serrez le boulon hex. au couple recommandé ci-dessous:

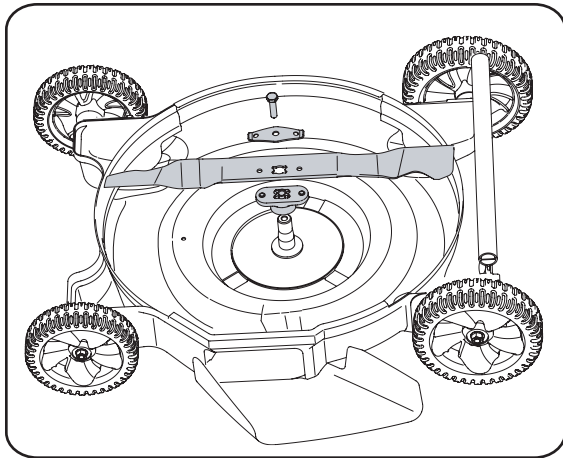
1. Nettoyez et lubrifiez soigneusement la tondeuse selon les instructions de lubrification.
2. L'utilisation d'un nettoyeur sous pression ou d'un boyaux d'arrosage pour nettoyer la tondeuse est déconseillée.
3. Consultez la notice d'utilisation du moteur quant aux instructions d'entreposage du moteur.
4. Enduisez la lame de la tondeuse d'une graisse à châssis pour l'empêcher de rouiller.
5. Entrez la tondeuse dans un endroit sec et propre. Ne la remisez pas près de produits corrosifs, comme des engrais.

Remisage hors saison
Procédez de la manière suivante pour préparer votre tondeuse pour un entreposage prolongé.

1. Il est installé sur l'arrière du plateau de coupe et d'objets vers le conducteur. Remplacez le déflecteur arrière comme suit s'il est endommagé.
2. Tout d'abord, retirez le déflecteur utilisé en coupant l'extrémité plate de la tige métallique qui le maintient sur le plateau de coupe. Servez-vous de cisailles. Installez le déflecteur arrière neut avec la nouvelle tige fournie et pliez les extrémités pour la maintenir en place.

Remplacement du déflecteur arrière

Figure 11



REMARQUE : Il est très important de bien protéger le matériel contre la rouille s'il doit être entreposé dans un abri métallique non ventilé. Enduisez toute la machine, en particulier les câbles et toutes les pièces mobiles, avec une huile légère ou de la silicone.



Le fait de couper l'herbe sur un sol sablonneux provoque l'usure de la lame par abrasion.

Si la lame est déséquilibrée, elle fera vibrer la tondeuse de façon excessive, mais elle pourrait aussi causer des dommages à la tondeuse ou même casser pendant qu'elle tourne, et causer de sérieuses blessures à l'utilisateur.

Portez toujours des gants épais ou utilisez un chiffon épais pour manipuler la lame en la démon- tant pour l'aiguiser ou la remplacer.

AVERTISSEMENT



Entretien

5

Arrêtez toujours le moteur et débranchez le fil de la bougie et mettez-le à la masse contre le moteur avant tout nettoyage, toute lubrification ou autre entretien sur la machine.



L'utilisation d'un nettoyeur pressurisé ou d'un boyaux d'arrosage pour nettoyer la tondeuse est déconseillée. Cela risque en effet d'endommager les composants élec-triques, les fusées, les poulies, les roulements ou le moteur. L'emploi d'eau à tendance à raccourcir la vie de la tondeuse et à limiter sa facilité d'entretien.

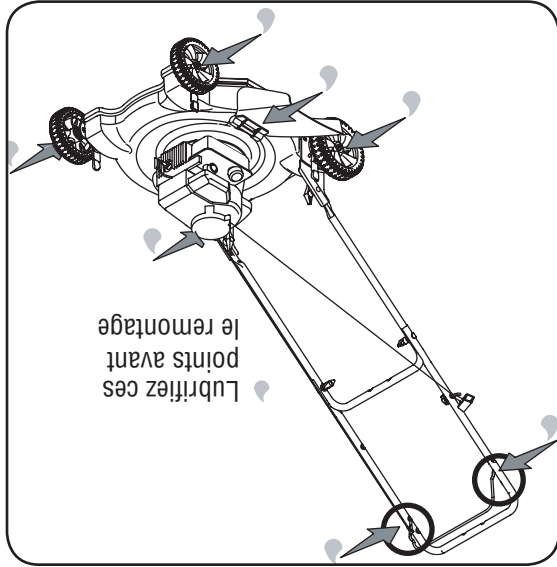


Figure 10

Recommandations d'ordre général

1. Suivez toujours les consignes de sécurité lors de tout entretien.
2. La garantie de cette tondeuse ne s'applique pas à toute pièce qui a fait l'objet d'un emploi abusif ou d'une négligence. Pour bénéficier au maximum de la garantie, l'utilisateur doit entretenir la tondeuse conformément aux instructions de cette notice.
3. La garantie sera nulle et non avenue si une modification est apportée au régulateur du moteur.
4. Vérifiez tous les réglages au moins une fois par saison.
5. Vérifiez régulièrement que toute la boulonnerie est bien serrée.

Lubrification

1. Lubrifiez les points de pivot de la poignée de commande de la lame au moins une fois par saison avec une huile légère. La commande de la lame doit fonctionner facilement dans les deux sens. Voir la Figure 10.
2. Lubrifiez les roulements à billes des roues au moins une fois par saison avec de l'huile fluide, tous les autres genres n'ont pas de soin d'être lubrifiés. Toutefois, si elles doivent être démontées pour une raison quelconque, lubrifiez la surface du boudin d'essieu et la surface intérieure de la roue avec une huile automobile légère.
3. Le ressort de torsion et le point de pivotement sur le clapet arrière doivent être lubrifiés régulièrement avec une huile légère pour empêcher la rouille. Voir la Figure 10.
4. Consultez la notice d'utilisation du moteur pour les instructions de lubrification.

Moteur

1. Consultez la notice d'utilisation du moteur pour tout ce qui concerne l'entretien du moteur.
2. Utilisez l'huile à moteur recommandée dans la notice d'utilisation du moteur fournie avec la tondeuse. Lisez attentivement les instructions et suivez-les.
3. Dans des conditions normales nettoyez le filtre à air recommandée dans la notice d'utilisation du moteur fournie avec la tondeuse. Nettoyez-le à intervalles plus rapprochés dans des conditions très poussiéreuses. Une mauvaise performance du moteur et sa « noyade » sont des indications que le filtre à air doit être nettoyé.
4. Nettoyez la bougie et ajustez l'écartement une fois par saison. Il est recommandé de remplacer la bougie au début de chaque saison. Vérifiez le type de bougie à utiliser et l'écartement correct dans la notice d'utilisation du moteur.

REMARQUE: Ce système d'allumage par étincelle de véhicule respecte toutes les exigences du Règlement sur le matériel brouilleur du Canada.

Plateau de coupe

Nettoyez le dessous du plateau de coupe après chaque utilisation pour empêcher les brins d'herbe, les feuilles ou la saleté de s'y accumuler. Toute accumulation favorise la rouille et la corrosion et peut empêcher le déshiquetage efficace.

Inclinez la tondeuse et grattez le dessous du plateau de coupe avec un outil approprié (après avoir vérifié que la bougie est débranchée) pour nettoyer le plateau de coupe.

Entretien et remplacement de la lame



AVERTISSEMENT: Portez toujours des gants épais ou utilisez un chiffon épais pour manipuler la lame en la démontant pour l'ajuster ou la remplacer.

Examinez périodiquement l'adaptateur de lame pour y détecter tout fendillement éventuel, surtout après avoir heurté un objet. Remplacez-le au besoin. Procédez comme suit pour l'entretien de la lame:

1. Débranchez toujours le fil de la bougie.
2. Basculez la tondeuse selon les instructions dans la notice d'utilisation. S'il n'y a pas d'instructions spécifiques, basculez la tondeuse avec le filtre à air et le carburateur sur le haut.

AVERTISSEMENT: Arrêtez le moteur si vous heurtez un objet quelconque. Débranchez le fil de la bougie, cherchez soigneusement tout signe de dégât à la tondeuse et réparez-la avant de la remettre en marche et de vous en servir. Des vibrations importantes de la tondeuse indiquent des dégâts. Faites examiner et réparer la machine rapidement.

Conseil d'utilisation

1. Pour obtenir les meilleurs résultats et déchiqueter efficacement, ne coupez pas l'herbe mouillée.
2. Une tonte plus étroite peut être nécessaire si l'herbe est nouvelle, drue ou humide.
3. Votre pelouse sera plus saine si vous ne tondez jamais plus d'un tiers de la longueur totale des brins d'herbe.
4. Continuez à tondre la pelouse à l'automne jusqu'à ce qu'elle cesse de pousser.
5. Ajustez la vitesse de déplacement en fonction des conditions de travail.
6. Si l'herbe a été permis de pousser en excès de 4 pouces, le déchiquetage est déconseillé. Utilisez d'abord le sac à herbe pour réduire la hauteur de l'herbe à 3-1/4 pouces ou moins, avant de déchiqueter l'herbe.

AVERTISSEMENT : Attendez que la lame se soit complètement immobilisée avant de travailler sur la tondeuse ou de retirer le sac à herbe.

Utilisation du sac à herbe

- Vous pouvez utiliser le sac à herbe pour ramasser l'herbe coupée en tondant.
1. Installez le sac à herbe en suivant les instructions à la page 7. Les brins d'herbe seront automatiquement dirigés dans le sac pendant que vous tondez. Travaillez jusqu'à ce que le sac est plein.
 2. Arrêtez le moteur en lâchant la barre de commande de la lame. Assurez-vous que la lame est immobile.
 3. Relevez le clapet d'éjection et dégagez le sac pour le vider.

AVERTISSEMENT



Utilisation



Les objets projetés par une tondeuse peuvent atteindre les yeux et causer des blessures graves. Portez toujours des lunettes de sécurité en utilisant la tondeuse, ou en effectuant tout entretien ou toute réparation.

Assurez-vous que seul le conducteur se trouve à proximité de la tondeuse au moment de sa mise en route ou pendant son utilisation. Ne faites jamais fonctionner la machine dans un local clos et mal aéré, car les gaz d'échappement du moteur contiennent du monoxyde de carbone, un gaz indore très dangereux. N'approchez pas les mains, pieds, cheveux et vêtements lâches des pièces en mouvement du moteur et de la tondeuse.

Arrêt du moteur

1. Lâchez la poignée de commande de la lame pour arrêter le moteur et la lame.

AVERTISSEMENT: La lame continue à tourner pendant quelques secondes après que le

moteur s'est éteint.

2. Débranchez le fil de la bougie et mettez-le à la masse contre le moteur pour empêcher tout démarrage accidentel lorsque la machine n'est pas surveillée.

Utilisation de la tondeuse

AVERTISSEMENT: N'utilisez

jamais la tondeuse sans le clapet d'éjection arrière ou l'ensemble du sac à herbe fermement fixé en place.

Vérifiez qu'il n'y a plus de pierres, de morceaux de bois, de fils métalliques ou autres objets sur la pelouse, qui risquent d'endommager la tondeuse ou le moteur. Ces objets pourraient être projetés par la tondeuse dans une direction ou une autre et blesser grièvement le conducteur ou toute autre personne présente.

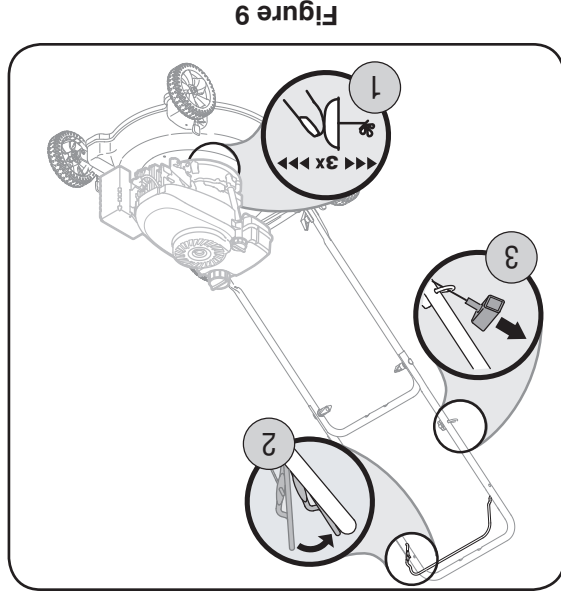


Figure 9

Commandes

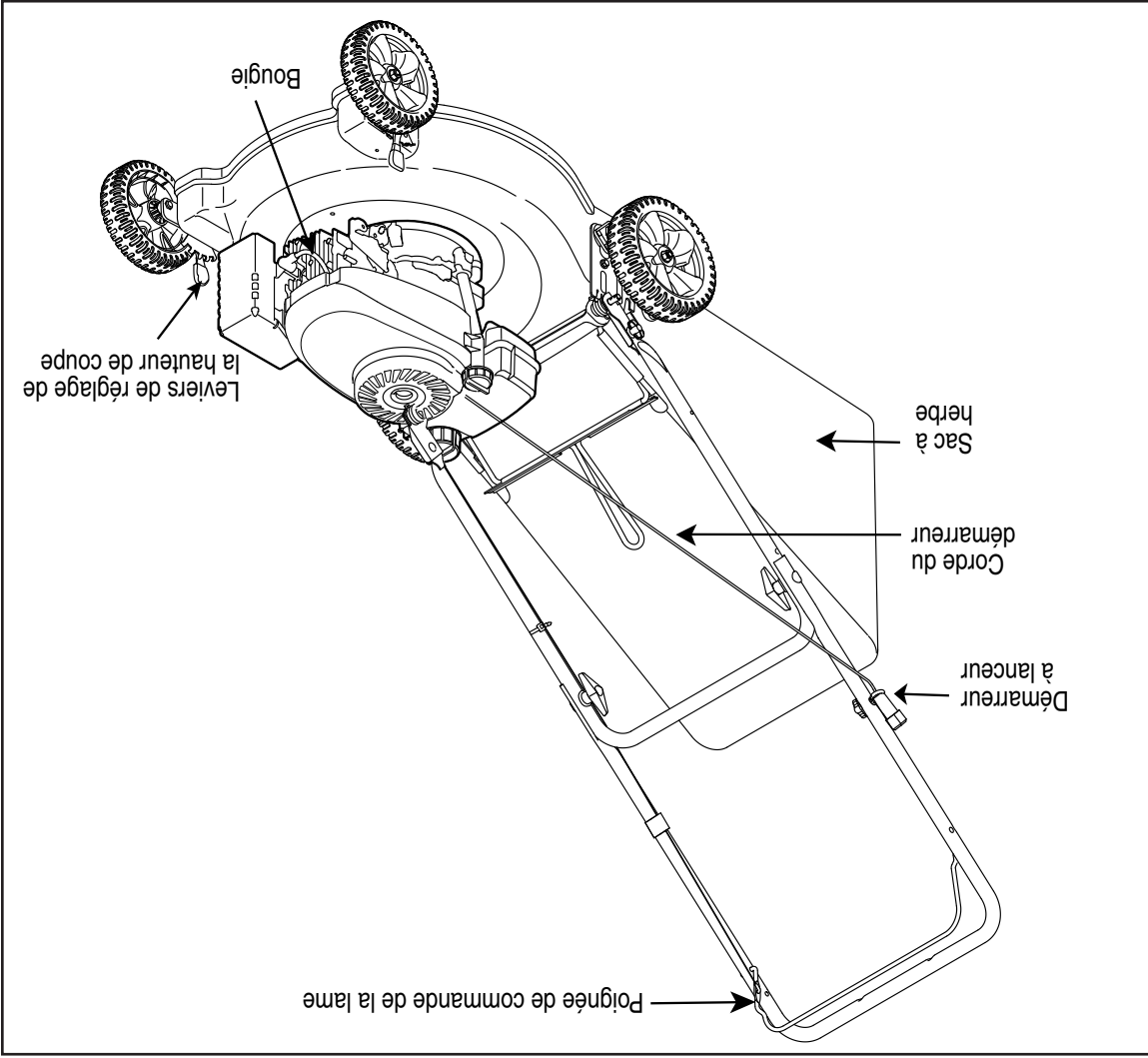


Figure 8

2. Branchez le fil de la bougie sur cette dernière. Si une gaine en caoutchouc recouvre l'extrémité du fil de la bougie, assurez-vous que la boucle métallique, au bout du fil de la bougie (dans la gaine en caoutchouc), est bien fixée sur l'embout métallique de la bougie.

Mise en marche du moteur

1. Si votre tondeuse est équipée d'un amorceur, amorcez le moteur en suivant les instructions de la notice d'utilisation du moteur.

2. Tenez-vous derrière la machine, appuyez sur la poignée de commande de la lame et maintenez-la contre le guidon supérieur, comme à la Figure 9.
3. Prenez la poignée du démarreur à lanceur de la façon illustrée et tirez-la lentement jusqu'à ce que vous sentiez une légère résistance. Tirez alors rapidement pour faire démarrer le moteur et pour éviter le recul. Laissez la poignée revenir lentement jusqu'au bouclon de guidage de la corde.

Poignée de commande de la lame

La poignée de commande de la lame se trouve sur le guidon supérieur de la tondeuse. Voir la Figure 8. Il faut serrer cette poignée contre le guidon pour que la tondeuse fonctionne. Le fait de lâcher la poignée arrête le moteur et la lame.

Démarreur à lanceur

Il est installé sur la droite du guidon supérieur. Tenez-vous derrière la tondeuse et tirez sur le démarreur à lanceur pour faire démarrer la tondeuse.

Levers de réglage de la hauteur de coupe

Un levier de réglage de la hauteur se trouve sur chacune des roues. Les quatre leviers doivent se trouver à la même position relative pour assurer une coupe régulière.

Avant de faire démarrer le moteur

1. Faites les pleins d'essence et d'huile selon les instructions fournies dans la notice d'utilisation du moteur qui accompagne l'équipement.

Utilisation



AVERTISSEMENT



Lisez, comprenez, et suivez toutes les instructions et les consignes sur la machine et dans ce notice avant le fonctionnement.

Ce mécanisme de commande est un dispositif de sécurité. N'essayez jamais d'éviter son emploi.

Faites très attention en manipulant de l'essence. L'essence est extrêmement inflammable et les vapeurs sont explosif. Ne faites *jamais* le plein d'essence à l'intérieur, pendant que le moteur tourne ou quand le moteur est chaud. Éteignez toute cigarettes ou pipe, tout cigare ou toute autre source incandescente.

Instructions de montage et réglages

3



REMARQUE:

Vérifiez que le sac à l'herbe est bien à l'endroit avant l'assemblage (l'étiquette d'avertissement doit se trouver sur l'extérieur)

REMARQUE:

Assurez-vous que les câbles sont accrochés sur l'extérieur du guidon pour qu'ils ne gênent pas lors de l'installation du sac à l'herbe.

AVERTISSEMENT



N'utilisez jamais la tondeuse si les crochets du sac à l'herbe ne sont pas enfoncés dans la tige de pivotement et si le clapet arrière ne repose pas contre le haut du sac à l'herbe.

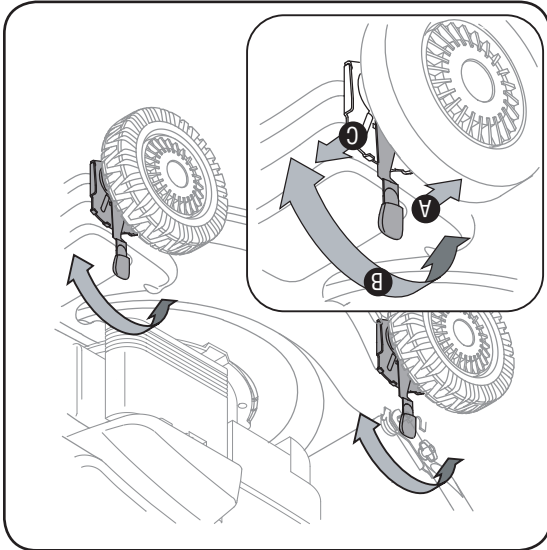


Figure 4

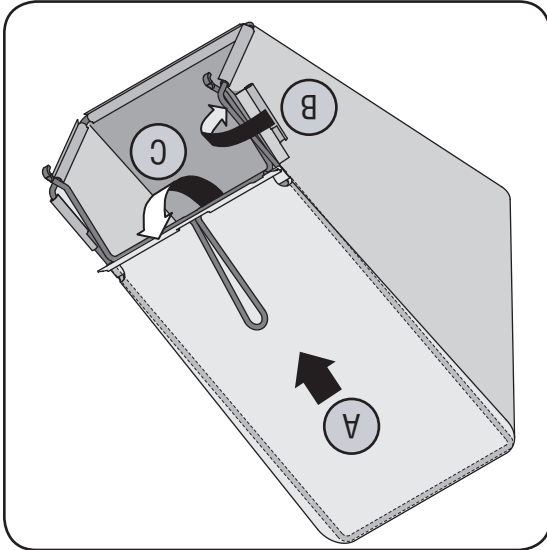


Figure 5

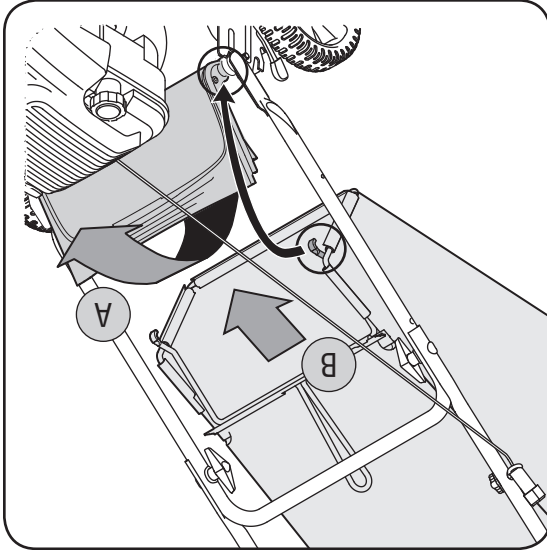


Figure 6

4. Enfoncez les taquets des attache-câbles dans les trous aménagés dans le guidon inférieur. Serrez l'attache-câble et coupez le surplus. Voir la Figure 4.
5. Un levier de réglage se trouve sur chacune des roues et permet de modifier la hauteur de coupe, de la tondeuse. Pour changer la hauteur de coupe, poussez le levier de réglage des roues vers la roue et déplacez-le vers le haut ou le bas à la hauteur choisie. Voir la Figure 5.
6. Assemblage du sac à l'herbe:
 - a. Glissez le sac sur l'armature (côté en plastique noir sur le dessous). Enfoncez les crochets de l'armature dans les trous des glissières en plastique du sac à l'herbe. Voir la Figure 6.
 - b. Attachez le sac sur l'armature en accrochant les glissières sur l'armature, comme à la Figure 6. Toutes les glissières en plastique, sauf celle du dessus du sac, s'accrochent de l'extérieur du sac. Le haut du sac s'attache de l'intérieur de celui-ci.
7. Assemblage du sac à l'herbe sur la tondeuse
 - a. Relevez le clapet d'éjection arrière de la tondeuse et placez le sac à l'herbe sur la tige de pivotement. Lâchez le clapet pour qu'il repose sur le sac à l'herbe. Voir la Figure 7.

AVERTISSEMENT: N'utilisez jamais la tondeuse si les crochets du sac à l'herbe ne sont pas enfoncés dans la tige de pivotement et si le clapet arrière ne repose pas contre le haut du sac à l'herbe.



8. Pour enlever le sac à l'herbe et utiliser l'ensemble de déchetage:
 - a. Relevez le clapet d'éjection arrière de la tondeuse, comme à la Figure 7. Relevez le sac à l'herbe et dégagez-le de la tige de pivotement. Lâchez le clapet d'éjection arrière pour fermer l'ouverture sur l'arrière de la tondeuse.

3

Instructions de montage et réglages



Pour l'expédition, le guidon de la tondeuse est placé à la plus haute position. **REMARQUE :** Les deux extrémités du guidon intérieur doivent être placées à la même position relative.

IMPORTANT

Cette machine est expédiée SANS HUILE NI ESSENCE. Après l'assemblage, faites les pleins d'essence et d'huile conformément aux instructions de la notice d'utilisation du moteur fournie avec la machine.

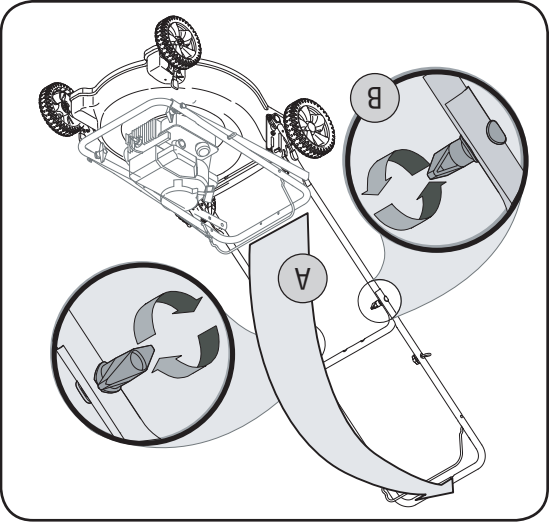


Figure 1

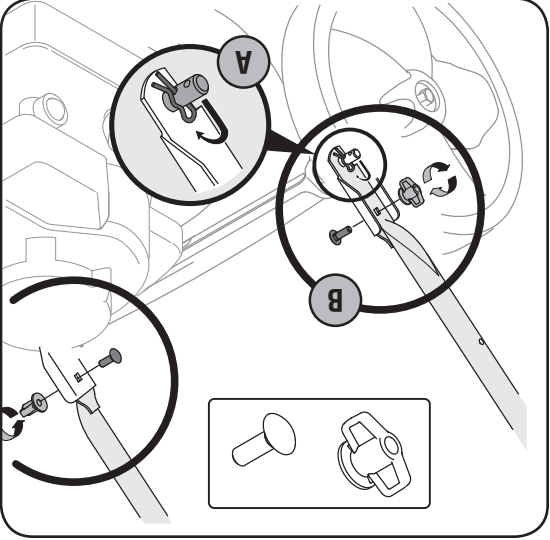


Figure 2

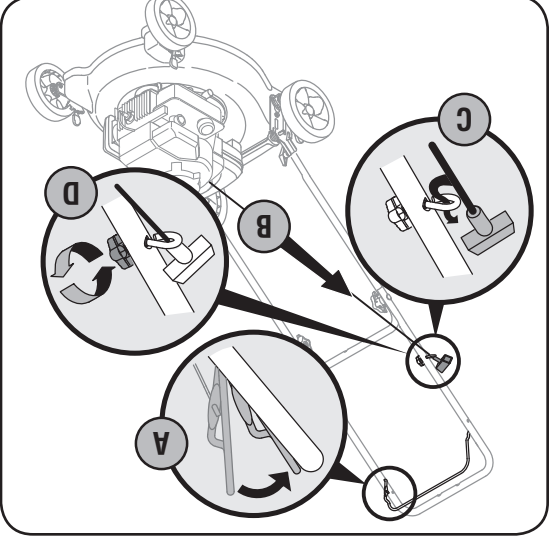


Figure 3

AVERTISSEMENT: Débranchez le fil de la bougie et mettez-le à la masse conformément aux instructions de la notice d'utilisation du moteur fournie avec la machine.



1. Procédez comme suit pour installer le guidon.
 - a. Redressez le guidon supérieur vers vous pour le faire passer à la position de travail. Voir la Figure 1.
 - b. Serrez les écrous à oreilles (boutons en forme d'étoile) qui maintiennent le guidon supérieur sur le guidon inférieur. Assurez-vous que le boulon ordinaire est bien enfoncé dans le guidon.

REMARQUE : Sur certains modèles, les écrous à oreilles ont été remplacés par des boutons en forme d'étoile. Les figures ne représentent que les écrous à oreilles.

2. Placez une goupille-épingle dans l'un des trous de la goupille soudée de chaque côté du guidon inférieur.
 - a. Enlevez les goupilles fendues placées dans le trou extérieur des goupilles soudées sur les supports de montage du guidon. Placez les goupilles fendues dans le trou intérieur. Voir la Figure 2.
 - b. Placez un boulon ordinaire (dans le sachet de boulonnerie fourni avec la machine) dans le trou supérieur du support de montage de droite du guidon, en procédant de l'intérieur vers l'extérieur. Voir la Figure 2. Maintenez-le en place avec un écrou à oreilles en plastique (boutons en forme d'étoile). Répétez de l'autre côté.

3. Installation du guide de la corde. Voir la Figure 3.
 - a. Pressez la manette de commande de la lame contre le guidon supérieur. Position A.
 - b. Sortez lentement la corde du démarreur du moteur. Position B.
 - c. Glissez la corde du démarreur dans le guide. Position C.
 - d. Serrez l'écrou à oreilles (boutons en forme d'étoile) du guide de la corde. Position D.

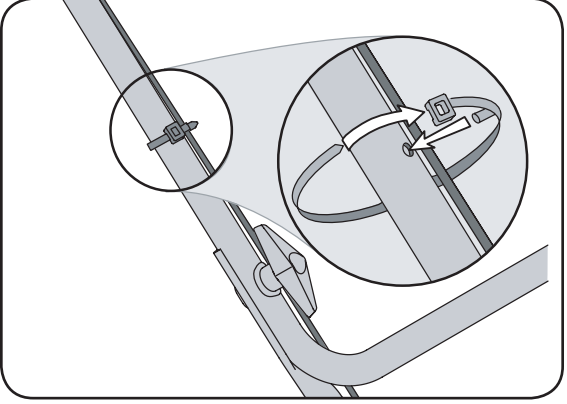


Figure 4

Consignes de sécurité



AVERTISSEMENT

Ce symbole attire votre attention sur des consignes de sécurité importantes qui, si elles ne sont pas respectées, peuvent mettre en danger non seulement votre personne et vos biens, mais aussi ceux d'autrui. Prière de lire toutes les instructions figurant dans cette notice d'utilisation avant d'essayer de vous servir de cette machine. Le non-respect de ces instructions peut entraîner des blessures corporelles.

RESPECTEZ L'AVERTISSEMENT QUI ACCOMPAGNE CE SYMBOLE!

Cette machine ne doit être utilisée que par des personnes qui peuvent lire, comprendre et respecter les avertissements et instructions qui figurent dans cette notice et sur la machine.

2

- Entretien général:**
1. Ne faites jamais fonctionner la machine dans un local clos car les gaz d'échappement du moteur contiennent du monoxyde de carbone, un gaz inodore très dangereux.
 2. Avant de nettoyer, de réparer ou d'examiner la machine, vérifiez que la lame et toutes les pièces mobiles se sont immobilisées. Débranchez le fil de la bougie et mettez-le à la terre contre le moteur pour empêcher tout démarrage accidentel.
 3. Vérifiez souvent que la lame et les boulons de montage du moteur sont bien serrés. Examinez visuellement la lame pour détecter toute usure excessive, tout fendillement. Remplacez-la avec une lame authentique seulement (du liste de pièces qui se trouve dans cette notice). «L'emploi de pièces non conformes aux caractéristiques de l'équipement d'origine peut causer des performances inférieures et réduire la sécurité.»
 4. La lame est coupante et peut causer des blessures graves. Enveloppez la lame avec un chiffon ou portez des gants et faites très attention en le manipulant.
 5. Assurez-vous que tous les écrous, boulons et vis sont bien serrés pour que l'équipement soit toujours en bon état de marche.
 6. Ne modifiez jamais les dispositifs de sécurité. Vérifiez souvent qu'ils fonctionnent bien.
 7. Si vous heurtez un objet, arrêtez immédiatement le moteur, débranchez le fil de la bougie et examinez soigneusement la machine en marche. Réparez les dégâts éventuels avant de remettre la machine en marche.
 8. N'essayez jamais d'ajuster une roue ou de changer la hauteur de coupe pendant que la machine tourne.
 9. Les éléments du sac à herbe et le clapet de la goulotte d'éjection peuvent s'user et être endommagés et, par conséquent, exposer les pièces mobiles à causer la projection de débris. Par mesure de sécurité, vérifiez souvent les éléments et remplacez-les immédiatement avec des pièces authentiques seulement (du liste non conformes aux caractéristiques de l'équipement d'origine de pièces qui se trouve dans cette notice). «L'emploi de pièces de pièces qui ne se trouve dans cette notice)». «L'emploi de pièces de pièces qui ne se trouve dans cette notice)».
 10. Ne modifiez pas le réglage du régulateur et ne laissez pas le moteur s'emballer. Le régulateur maintient le moteur à son régime maximal de fonctionnement sans danger.
 11. Prenez soin des étiquettes d'instructions et remplacez-les au besoin.
 12. Respectez les règlements concernant l'élimination des déchets et liquides qui risquent de nuire à la nature et à l'environnement.

- À FAIRE:**
1. Travailler parallèlement à la pente, jamais perpendiculairement, faites très attention en changeant de direction sur une pente.
 2. Faites attention aux trous et ornières. La machine peut se retourner sur un terrain accidenté. Des herbes hautes peuvent cacher des obstacles.
 3. Vérifier toujours votre équilibre. Vous risquez de glisser et de tomber et de vous blesser grièvement. Si vous sentez que vous allez perdre votre équilibre, lâchez immédiatement le guidon, et la lame arrêtera de tourner dans trois secondes.
- À NE PAS FAIRE:**
1. Ne tondez pas près d'une falaise ou d'un talus. Le conducteur peut facilement perdre l'équilibre.
 2. Ne tondez pas sur une pente supérieure à 15° selon l'inclinaison.
 3. Ne tondez pas de l'herbe mouillée. La traction réduite peut provoquer un dérapage.

Enfant

- Un accident grave risque de se produire si le conducteur n'est pas toujours vigilant en présence d'enfants. Les enfants sont souvent attirés par la machine et la tondeuse. Ils ne comprennent pas les dangers. Ne supposez jamais qu'ils vont rester là où vous les avez vus. Éloignez les enfants de la zone de travail et placez-les sous la surveillance d'un adulte autre que le conducteur de la machine.
2. Restez vigilant et arrêtez la machine si des enfants s'approchent de la zone de travail.
 3. Regardez toujours derrière vous et par terre avant de reculer et en reculant.
 4. Faites très attention en approchant d'angles morts, de buissons, d'autres objets qui peuvent gêner votre visibilité.
 5. Tenez des enfants loin de moteurs chauds ou tournants. Ils peuvent subir des brûlures graves d'un silencieux chaud.
 6. Ne permettez jamais à des enfants de moins de 14 ans d'utiliser la tondeuse. Des adolescents âgés de 14 ans ou plus doivent lire la notice d'utilisation, bien comprendre le fonctionnement de la machine et respecter les consignes de sécurité. Ils doivent apprendre à utiliser la machine et s'en servir sous la surveillance étroite d'un adulte.

ENTRETIEN

Manipulation de l'essence:

1. Pour éviter toute blessure ou dégat matériel, faites très attention en manipulant de l'essence. Il s'agit d'un produit extrêmement inflammable et les vapeurs risquent d'exploser. Vous pouvez être grièvement blessé si des éclaboussures sur votre peau ou sur vos vêtements s'enflamment.
2. Rincez votre peau et changez immédiatement de vêtements.
3. Remisisez le carburant dans des bidons homologués seulement.
4. Ne faites jamais le plein dans un véhicule, ni à l'arrière d'une camionnette dont le plancher est recouvert d'un revêtement en plastique. Placez toujours les bidons par terre et loin de votre véhicule avant de les remplir.
5. Dans le mesure du possible, déchargez l'équipement motorisé de la remorque et faites le plein par terre. Si cela n'est pas possible, faites le plein avec un bidon plutôt que directement de la pompe à essence.
6. Maintenez le gicleur en contact avec le bord du réservoir d'essence. N'utilisez pas un gicleur équipé d'un dispositif de blocage en position ouverte.
7. Éteignez toute cigarette ou pipe, tout cigare ou toute chaise incandescente.
8. Ne faites jamais le plein à l'intérieur.



Consignes

de sécurité



AVERTISSEMENT

Ce symbole attire votre attention sur des consignes de sécurité importantes qui, si elles ne sont pas respectées, peuvent mettre en danger non seulement votre personne et vos biens, mais aussi ceux d'autrui. Prière de lire toutes les instructions figurant dans cette notice d'utilisation avant d'essayer de vous servir de cette machine. Le non-respect de ces instructions peut entraîner des blessures corporelles.

RESPECTEZ L'AVERTISSEMENT QUI ACCOMPAGNE CE SYMBOLE!

Votre responsabilité

Cette machine ne doit être utilisée que par des personnes qui peuvent lire, comprendre et respecter les avertissements et instructions qui figurent dans cette notice et sur la machine.



AVERTISSEMENT: Les gaz d'échappement de ce produit contiennent des produits chimiques reconnus dans l'État de Californie comme causant le cancer, des anomalies congénitales ou d'autres problèmes liés à la reproduction.

DANGER: Cette machine doit être utilisée conformément aux consignes de sécurité qui figurent dans la notice d'utilisation. Comme avec tout appareil motorisé, une négligence ou une erreur de l'utilisateur peut entraîner des blessures graves. Cette machine peut amputer mains et pieds et projeter des débris. Par conséquent, le non-respect de ces consignes peut causer des blessures corporelles graves et même mortelles.

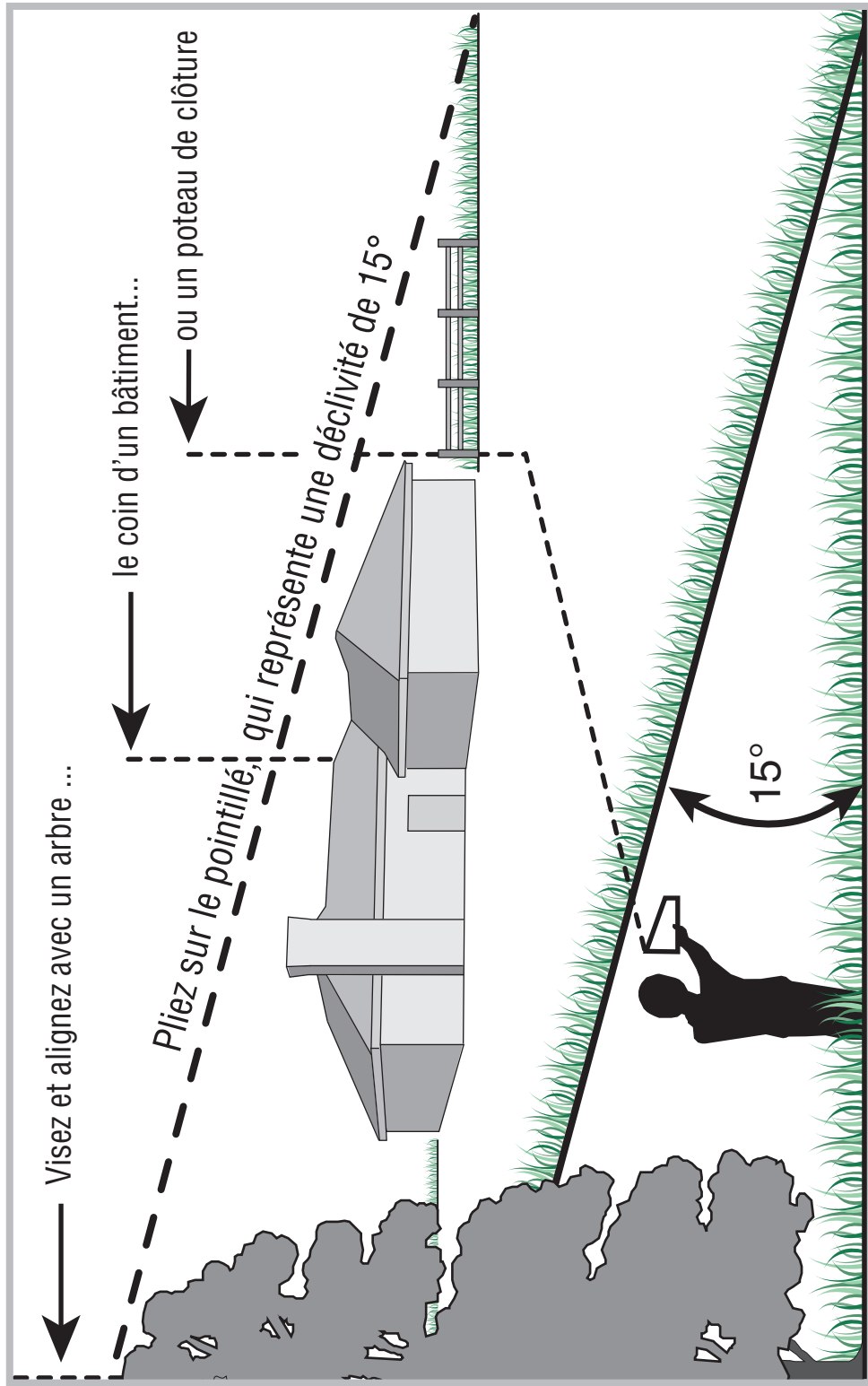
Utilisation en général

1. Veuillez lire attentivement la notice d'utilisation avant d'essayer d'assembler la machine. Assurez-vous de lire et de bien comprendre toutes les instructions qui figurent sur la machine et dans la notice d'utilisation avant de la mettre en marche. Familiarisez-vous avec les commandes et les conseils d'utilisation de la machine avant de vous en servir. Conservez cette notice d'utilisation à un endroit sûr pour toute consultation ultérieure et pour commander des pièces de rechange.
 2. Cette machine motorisée est un outil de précision, pas un jouet. Soyez par conséquent toujours très prudent. Le seul rôle de cette machine est de tondre le gazon. Ne l'utilisez jamais dans un autre but.
 3. Ne permettez jamais à des enfants de moins de 14 ans de se servir de la machine. Des adolescents plus âgés doivent lire la notice d'utilisation, bien comprendre le fonctionnement de la machine et respecter les consignes de sécurité. Ils doivent apprendre à utiliser la machine et s'en servir sous la surveillance étroite d'un adulte. Seules des personnes mûres ayant pris connaissance des consignes de sécurité doivent être autorisées à utiliser cette machine.
 4. Examiner soigneusement la zone de travail. Ramassez tous les pierres, bâtons, fil métalliques os, jouets et autre objets qui pourraient vous tébucher ou qui risquent d'être rasmassés et projetés par la lame. Les objets projetés par la machine peuvent causer des blessures graves. Prévoyez de travailler en évitant de projeter l'herbe vers des rues, des trottoirs, des spectateurs, etc. Evitez d'éjecter l'herbe en direction d'un mur ou d'un obstacle. De cette façon, les débris éventuels ne risquent pas de ricocher et de blesser quelqu'un.
 5. Pour éviter tout risque de contact avec la lame ou de blessure par un projectile, éloignez les enfants, passants et autres à au moins 75 pieds de la tondeuse pendant qu'elle fonctionne. Arrêtez la machine si quelqu'un s'approche.
 6. Portez toujours des lunettes de sécurité en utilisant la machine ou en effectuant un réglage ou une réparation. Un objet peut en effet être projeté, ricocher et vous blesser aux yeux.
 7. Portez des chaussures robustes à semelle épaisse et des vêtements bien ajustés. Une chemise et un pantalon qui protègent les bras et les jambes et des chaussettes à bout d'acier sont recommandés. N'utilisez jamais la tondeuse si vous êtes pieds nus ou si vous portez des sandales ou des tennis.
 8. Ne placez jamais vos mains ou vos pieds près d'une pièce en mouvement ou sous le plateau de coupe. La lame peut amputer mains et pieds.
 9. L'absence du clapet de la goulotte d'éjection ou un clapet endommagé peut causer des blessures en cas de contact avec la lame ou projeter des objets.
 10. De nombreuses blessures se produisent lorsque la tondeuse passe sur le pied à la suite d'une chute. Ne retenez pas la tondeuse si vous tombez. Lâchez immédiatement le guidon.
 11. Ne tirez jamais la tondeuse vers vous en marchant. S'il faut reculer la tondeuse près d'un mur d'autre obstacle, regardez d'abord par terre et derrière vous, puis procédez comme suit:
 - a. Éloignez-vous de la tondeuse à bout de bras.
 - b. Assurez votre stabilité.
- Les accidents provoqués par tomber et de glisser, qui se produisent souvent sur des pentes, peuvent causer des blessures graves. Travailler sur un terrain en pente demande des précautions supplémentaires. Si vous ne sentez pas à l'aise sur la pente, n'y travaillez pas. Par mesure de sécurité utilisez l'inclinomètre fourni

Utilisation sur une pente

- a. Reculez la tondeuse lentement et d'une demi-longueur de bras seulement.
 - b. Répétez selon les besoin.
12. N'utilisez jamais la tondeuse en état d'ébréité ou si vous prenez des médicaments ralentissant les réactions.
 13. Dégagez le dispositif d'auto-propulsion ou l'embrayage d'entraîinement, le cas échéant, avant de faire démarrer le moteur.
 14. La poignée de commande de la lame est un dispositif de sécurité. Ne tenez jamais de contourner son rôle. Ceci empêche le dispositif de sécurité de fonctionner correctement et peut causer des blessures en cas de contact avec la lame. La poignée de commande de la lame doit bouger facilement dans les deux sens et revenir automatiquement à la position non éteinte quand on la lâche.
 15. N'utilisez jamais la tondeuse si le gazon est mouillé. Soyez toujours bien en équilibre. Faites attention de ne pas glisser et de ne pas tomber pour éviter des blessures graves. Si vous estimez que vous perdez votre équilibre, lâchez la poignée de commande de la lame immédiatement et la lame arrêtera de tourner dans trois secondes.
 16. Utilisez la tondeuse seulement dans la lumière du jour ou dans la lame avant de traverser des allées, trottoirs ou chemins recouverts de gravier.
 17. Si la machine commence à vibrer d'une manière anormale, arrêter le moteur et cherchez-en immédiatement la cause. En général, toute vibration indique un problème.
 18. Arrêtez le moteur et attendez que la lame se soit immobilisée avant de détacher le sac à herbe ou de déboucher la goulotte. La lame continue à tourner pendant quelques secondes après que le moteur s'est éteint. Ne placez jamais aucune partie du corps dans le secteur de la lame avant que vous ne soyez sûr que la lame a arrêté de tourner.
 19. N'utilisez jamais la tondeuse sans avoir l'abatant de protection arrière, la goulotte d'éjection, un sac à herbe, la poignée de commande de la lame ou d'autres dispositifs de sécurité appropriés, en place et qui fonctionnent correctement. N'utilisez jamais la tondeuse avec des dispositifs de sécurité endommagés. Le non-respect de ces consignes peut causer des blessures graves.
 20. Le silencieux et le moteur deviennent très chauds et peuvent causer des brûlures. Ne les touchez pas.
 21. N'utilisez que des accessoires recommandés par le fabricant de la machine. Le non-respect de ce consigne peut causer des blessures graves.
 22. En cas de situations qui ne sont pas mentionnées dans cette notice, soyez prudent et faites preuve de bon sens. Contactez votre département de service à la clientèle pour le nom de votre concessionnaire local.

Server-vous de cet inclinomètre pour déterminer les pentes sur lesquelles il serait dangereux de travailler. **N'utilisez pas** cette tondeuse sur de telles pentes.



Inclinomètre



AVERTISSEMENT

Ne vous tondez pas sur des pentes supérieures à 15° (soit une déclivité de 2-1/2 pi par 10 pi). Un tracteur à siège risque en effet de se retourner et son conducteur peut être gravement blessé. Il est également difficile de conserver un bon appui en marchant derrière la tondeuse. Vous risquez de glisser et de vous blesser.

Utilisez les tracteurs À SIÈGE parallèlement à la pente, jamais en travers.

Utilisez les tracteurs À POUSSER perpendicu- lairement à la pente, jamais parallèlement.




Le fabricant du moteur est responsable de toutes les questions concernant les performances, la puissance indiquée, les caractéristiques techniques, la garantie et le service après-vente du moteur. Pour plus de renseignements à ce sujet, veuillez consulter la notice d'utilisation du moteur fournie avec votre machine.

Préparez vos numéros de modèle et de série avant de téléphoner. Bien que les deux numéros soient importants, vous ne devrez enregistrer que le numéro de série avant de pouvoir poursuivre votre consultation.

Pour clients des États-Unis: 1-330-220-4MTD (4683) or 1-800-800-7310
Pour clients du Canada: 1-800-668-1238

Si l'assemblage de cette machine vous pose des problèmes ou pour toute question concernant les commandes, le fonctionnement ou l'entretien de la machine, appelez le service après-vente au:

Service après-vente
Veillez retourner la machine au détaillant qui vous l'a vendue, sans vous adresser d'abord au service après-vente.

Serial Number	XXXXXXXXXXXX
Model Number	XXXXXXXXXXXX
	
MTD LLC CLEVELAND, OH 44136 MTD PRODUCTS LIMITED KITCHENER, ON N2G 4J1 USA-www.mtdproducts.com 1-800-800-7310 CAN-www.mtdcanada.com 1-800-668-1238	

AVANT DE PROCÉDER À L'ASSEMBLAGE DE VOTRE NOUVEL ÉQUIPEMENT, localiser la plaque signalétique sur l'équipement, et recopier le numéro de modèle et le numéro de série sur le modèle de plaque signalétique fourni sur la droite. Pour localiser la plaque signalétique, placez-vous derrière la machine à la poste de conduite et regardez à l'arrière de la machine.

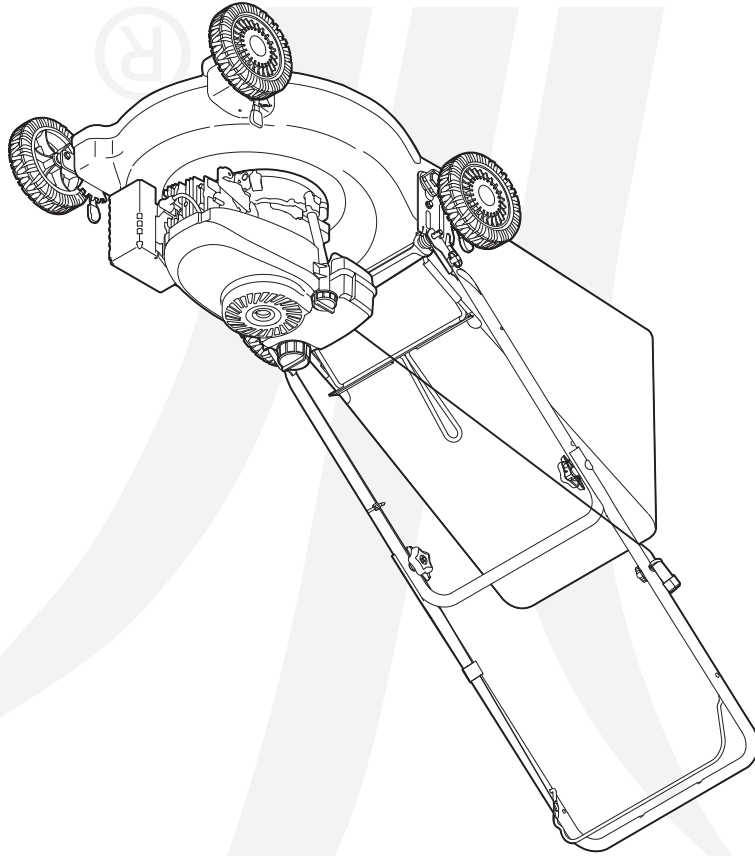
Pour trouver le numéro de modèle

Inclinomètre	3
Important consignes de sécurité	4
Instructions de montage et réglages	6
Utilisation	8
Entretien et Remisage hors saison	10
Dépannage	12
Garantie	13
Pièces détachées (voir la page 14 de la version anglaise de cette notice d'utilisation).	

Table des matières

Cette notice d'utilisation est une pièce importante de votre nouvel équipement. Elle vous fournit les renseignements nécessaires à l'assemblage, à la préparation et à l'entretien de votre machine. Veuillez donc la lire attentivement et vous assurer de bien comprendre toutes les instructions.

NOTICE D'UTILISATION



21 po Tondeuse Rotative - Série 410

IMPORTANT

LISEZ ATTENTIVEMENT LES RÈGLES DE SÉCURITÉ ET LES INSTRUCTIONS AVANT DE
METTRE EN MARCHÉ LA MACHINE.

Avertissement: Cet appareil est équipé d'un moteur à combustion interne. Pour cette raison, il ne doit pas être utilisé sur un terrain forestier non débroussaillé ou sur tout autre terrain recouvert de broussailles ou d'herbes s'il n'est pas équipé d'un pare-étincelles conforme à toutes les lois applicables à l'échelle locale ou de l'état (le cas échéant). Tout pare-étincelles doit être maintenu en parfait état de fonctionnement par l'utilisateur. L'état de Californie exige en vertu du Code sur les ressources publiques 4442. D'autres lois similaires peuvent être en vigueur dans certains autres états. Les lois fédérales sont applicables sur les terres fédérales. Vous pouvez vous procurer un pare-étincelles à installer sur le silencieux auprès de la station technique agréée la plus proche ou adressez-vous au service après-vente, P. O. 361131, Cleveland, Ohio 44136-0019.

Pour clients des États-Unis: MTD LLC, P.O. BOX 361131 CLEVELAND, OHIO 44136-0019
Pour clients du Canada: MTD Products Ltd., P. O. Box 1386, KITCHENER, ONTARIO N2G 4J1

IMPRIMÉ AUX ÉTATS-UNIS